

HARRINGTON

A KITO GROUP COMPANY



Air Powered Hoists

TCK Air Powered Hoists with Pendant and Cord Controls and Hook Suspension

Harrington's TCK air powered air hoists are the best choice for low headroom and fast lifting requirements in demanding industrial settings. These hoists are extremely durable, are packed with top quality features and will far exceed workplace demands.

Features and Benefits

Standard Hoist Specifications

<p>Unlimited Duty Cycle For continuous operation</p> <p>Spring-Loaded Multi-Vane Motor Design Permits very fine feathering control</p> <p>Extremely Fast Lifting For applications where speed is critical</p> <p>Extremely Compact & Lightweight Body Cast aluminum body allows for easy operation, transportation and storage</p> <p>External Speed Adjustment Screw No tools required to set specific speeds</p> <p>Adjustable Lifting and Lowering Speeds Increases production capabilities</p> <p>Heavy-duty Disc Motor Brake System For reliable load support</p> <p>Low Noise Levels Adds to operator comfort</p> <p>Load Limiter Prevents the hoist from lifting damaging loads</p> <p>Nickel-Plated Load Chain Resistant to corrosion, abrasion and wear</p>	<p>Capacity Range 3 – 6 Ton</p> <p>Standard Lift 10' (longer lifts available)</p> <p>Standard Pendant or Cord Length Hangs approximately 4 ft. above the hoist's fully extended bottom hook (longer lengths available)</p> <p>Air Supply Requirement 60 – 90 psi</p> <p>Air Filtration Maximum 5 micron air filter or finer required</p> <p>Air Inlet Port 1" NPT</p> <p>Air Supply Hose Minimum Size 3/4"</p> <p>Air Lubrication Requirement Minimum 10 – 15 drops of oil per minute (0.2 – 0.3 cc/min.)</p> <p>Temperature Range +14° – 140°F</p> <p>Chain Containers Optional Canvas or Steel</p>
--	--

**TCK Air Powered Hoists
with Pendant and Cord Controls
and Hook Suspension**



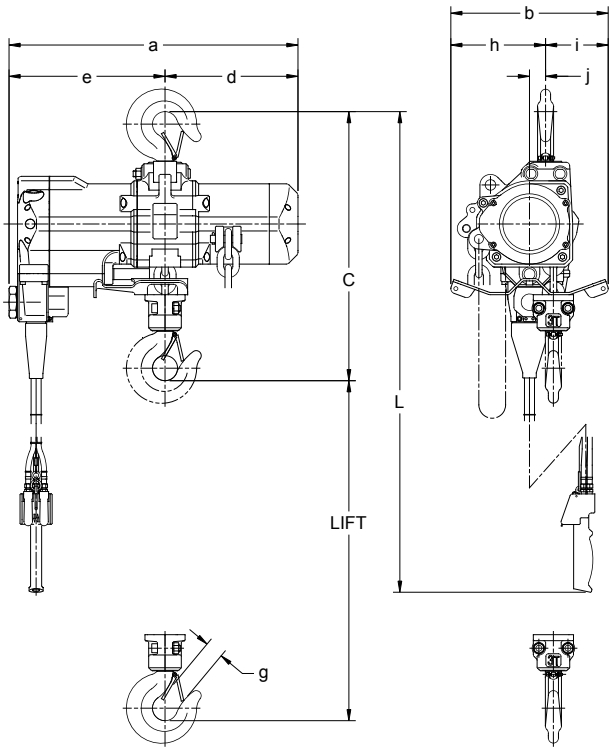
TCK3000P

PENDANT MODEL—SPECIFICATIONS

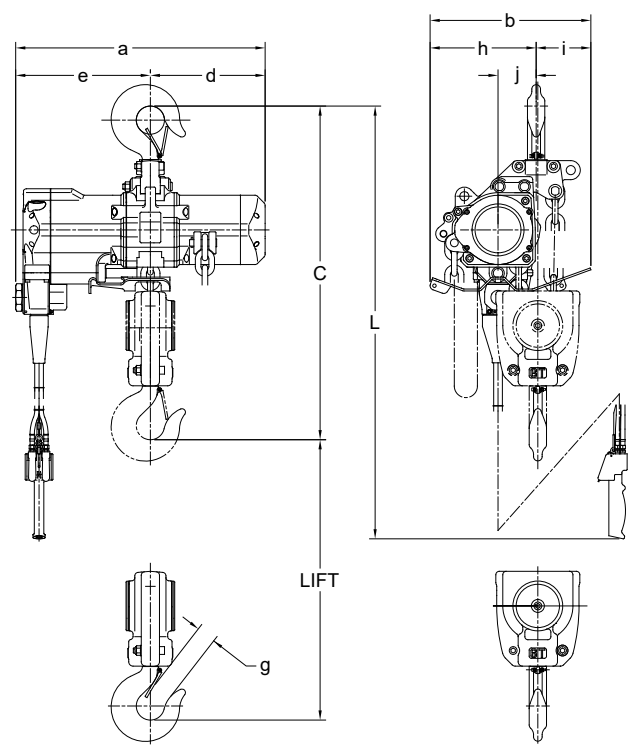
Cap. (Tons)	Product Code	Standard Lift (ft)	Push Button Hose L (ft)	Up/Down Speeds (ft/min @ 90 psi)		Up/Down Air Consumption Rates (cubic ft/min @ 90 psi)		Load Chain Diameter (mm) x Chain Fall Lines	Net Weight (lbs)	Weight for Additional One Foot of Lift (lbs)
				No Load	w/Full Load	No Load	w/Full Load			
3	TCK3000P	10	8.6	37 / 23	18 / 38	148 / 141	124 / 152	12.5 x 1	225	2.3
6	TCK6000P2	10	8.6	18 / 12	9 / 19	148 / 141	124 / 152	12.5 x 2	295	4.6

PENDANT MODEL—DIMENSIONS

Cap. (Tons)	Product Code	Headroom C (in)	a (in)	b (in)	d (in)	e (in)	g (in)	h (in)	i (in)	j (in)
3	TCK3000P	21.1	22.7	12.3	10.4	12.2	1.3	7.4	4.9	1.3
6	TCK6000P2	30.3	22.7	14.6	10.4	12.2	1.7	9.6	5.0	3.5



TCK3000P



TCK6000P2

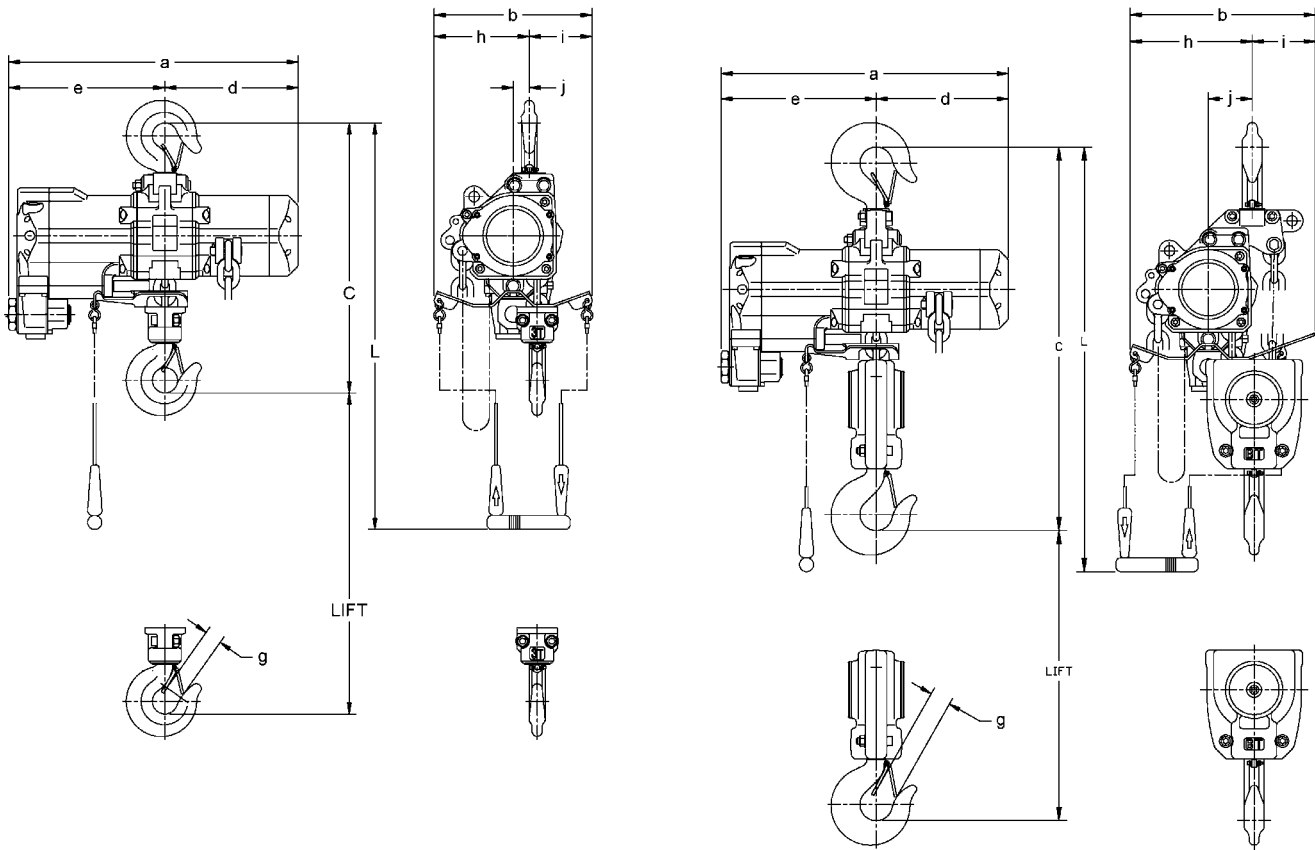
TCK Air Powered Hoists with Pendant and Cord Controls and Hook Suspension

CORD MODEL—SPECIFICATIONS

Cap. (Tons)	Product Code	Standard Lift (ft)	Cord L (ft)	Up/Down Speeds (ft/min @ 90 psi)		Up/Down Air Consumption Rates (cubic ft/min @ 90 psi)		Load Chain Diameter (mm) x Chain Fall Lines	Net Weight (lbs)	Weight for Additional One Foot of Lift (lbs)
				No Load	Full Load	No Load	Full Load			
3	TCK3000C	10	7.3	37 / 23	18 / 38	148 / 141	124 / 152	12.5 x 1	223	2.3
6	TCK6000C2	10	7.3	18 / 12	9 / 19	148 / 141	124 / 152	12.5 x 2	293	4.6

CORD MODEL—DIMENSIONS

Cap. (Tons)	Product Code	Headroom C (in)	a (in)	b (in)	d (in)	e (in)	g (in)	h (in)	i (in)	j (in)
3	TCK3000C	21.1	22.7	12.3	10.4	12.2	1.3	7.4	4.9	1.3
6	TCK6000C2	30.3	22.7	14.6	10.4	12.2	1.7	9.6	5.0	3.5



TCK3000C

TCK6000C2

TCK Air Powered Hoists with Air Powered, Push and Geared Trolleys

Harrington's TCK air powered hoists can be used with our air powered, push or geared trolleys for added mobility. The MCR air powered trolley is the ideal choice for transporting medium to heavy loads in construction and foundry applications. The economical PT or GT manual trolleys are perfect for lighter, infrequent moves and in small workshops.

Features and Benefits

Standard Hoist Specifications

<p style="text-align: center;">Air Powered Trolleys</p> <p style="text-align: center;">Unlimited Duty Cycle For continuous operation</p> <p>Spring-Loaded Multi-Vane Motor Design Permits smooth operation and controlled travel</p> <p style="text-align: center;">Cast Iron Housing For strength and durability</p> <p style="text-align: center;">Powder Coated Finish Proven weather resistant in harsh environments</p> <p style="text-align: center;">Internal Disc Brake Protected from harsh environments</p> <p style="text-align: center;">Drop Stops & Rubber Bumpers To ensure safe operation</p> <p style="text-align: center;">Side Guide Rollers Provide additional stability and smooth travel</p> <p style="text-align: center;">Versatile Wheels Fit flat or tapered beam flange</p> <p style="text-align: center;">Trolley Muffler Produces low noise levels</p> <p style="text-align: center;">Load Limiter Prevents the hoist from lifting damaging loads</p> <p style="text-align: center;">Nickel-Plated Load Chain Resistant to corrosion, abrasion and wear</p> <p style="text-align: center;">Manual Trolleys</p> <p style="text-align: center;">Shafts Standard shafts fit wide range of beams Longer shafts available for larger beams Spacers for easy adjustments</p> <p style="text-align: center;">Wheels All steel Sealed ball bearings Fit flat or tapered beam flange</p>	<p style="text-align: center;">Air Powered Trolleys</p> <p style="text-align: center;">Capacity Range 3 – 6 Ton</p> <p>Control Option on Trolley/Hoist TCKM —Pendant control only</p> <p style="text-align: center;">Standard Pendant Length Hangs approximately 4' above the hoist's fully extended bottom hook (longer lengths available)</p> <p style="text-align: center;">Air Supply Requirement 53 cfm at 60 – 90 psi</p> <p style="text-align: center;">Air Filtration Maximum 5 micron air filter or finer required</p> <p style="text-align: center;">Air Inlet Port 3/4" NPT</p> <p style="text-align: center;">Air Supply Hose Minimum Size 3 – 6 Tons — 3/4"</p> <p style="text-align: center;">Air Lubrication Requirement Minimum 10 to 15 drops of oil per minute (0.2 – 0.3 cc/min.)</p> <p style="text-align: center;">Operating Conditions Temperature range +14° to 140°F Humidity 85% or less</p> <p style="text-align: center;">Manual Trolleys</p> <p style="text-align: center;">Capacity Range 3 – 6 Ton</p> <p>Control Option on Hoist TCKP and TCKG — Pendant and cord</p> <p style="text-align: center;">Standard Hand Chain Length On geared trolleys Hangs approximately 2' less than fully extended bottom hook (longer lengths available)</p>
---	--

TCK Air Powered Hoists with Air Powered, Push and Geared Trolleys



TCKM3000P



TCKP3000P



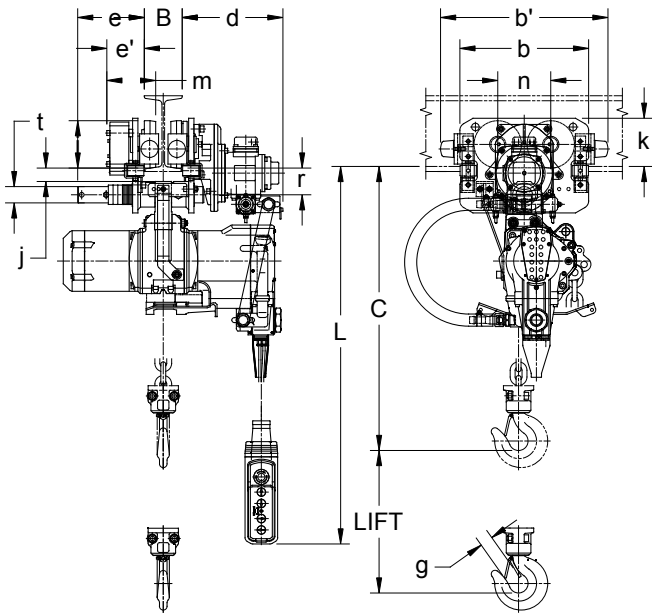
TCKG3000P

PENDANT MODEL WITH AIR POWERED TROLLEY—SPECIFICATIONS

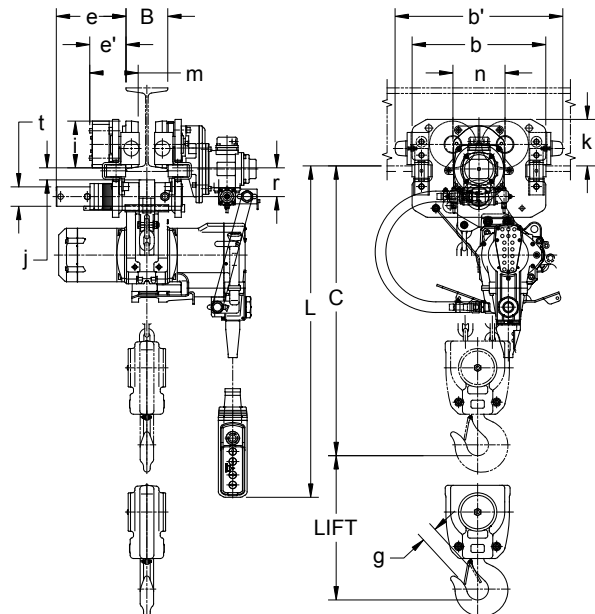
Cap. (Tons)	Product Code	Standard Lift (ft)	Push Button Hose L (ft)	Up/Down Speeds (ft/min @ 90 psi)		Traversing Speed (ft/min)	Air Consumption Rates (cfm @ 90 psi)			Flange Width Adjustability B (in)	Minimum Allow. Radius for Curve (in)	Load Chain Diameter (mm) x Chain Fall Lines	Net Weight (lbs)	Weight for Additional One Foot of Lift (lbs)
				No Load	Full Load		TCR		MCR					
							No Load	Full Load						
3	TCKM3000P	10	8.6	37 / 23	18 / 38	65	148 / 141	124 / 152	53	3.94 to 6.02	51.2	12.5 x 1	326	2.3
6	TCKM6000P2			18 / 12	9 / 19		148 / 141	124 / 152	53	4.92 to 7.02	78.7	12.5 x 2	461	4.6

PENDANT MODEL WITH AIR POWERED TROLLEY—DIMENSIONS

Cap. (Tons)	Product Code	Headroom C (in)	b (in)	b' (in)	d (in)	e (in)	e' (in)	g (in)	i (in)	j (in)	k (in)	m (in)	n (in)	r (in)	t (in)
3	TCKM3000P	29.5	13.4	17.4	10.5	6.9	3.9	1.3	4.9	1.4	5.0	5.1	5.5	2.8	1.7
6	TCKM6000P2	34.1	15.7	19.8	10.8	8.1	4.3	1.7	5.5	1.4	5.5	5.7	6.1	3.9	2.3



TCKM3000P



TCKM6000P2

TCK Air Powered Hoists with Air Powered, Push and Geared Trolleys

PENDANT MODEL WITH PUSH OR GEARED TROLLEY—SPECIFICATIONS

Cap. (Tons)	Product Code	Standard Lift (ft)	Push Button Hose L (ft)	Up/Down Speeds (ft/min @ 90 psi)		Up/Down Air Consumption Rates (cubic ft/min @ 90 psi)		Flange Width Adjustability B (in)		Minimum* Allow. Radius for Curve (in)	Load Chain Diameter (mm) x Chain Fall Lines	Net Weight (lbs)	Weight for Additional One Foot of Lift (lbs)
				No Load	Full Load	No Load	Full Load	Standard	Optional				
3	TCKP(TCKG)3000P	10	8.6	37 / 23	18 / 38	148 / 141	124 / 152	3.23 to 6.02	6.03 to 12.00	25.6 (66.9)	12.5 x 1	271 (287)	2.3 (2.9)
6	TCKP(TCKG)6000P2		8.6	18 / 12	9 / 19	148 / 141	124 / 152	5.50 to 8.66	8.67 to 12.00	118.1	12.5 x 2	507 (553)	4.6 (5.2)

Figures in parenthesis are data for geared trolley

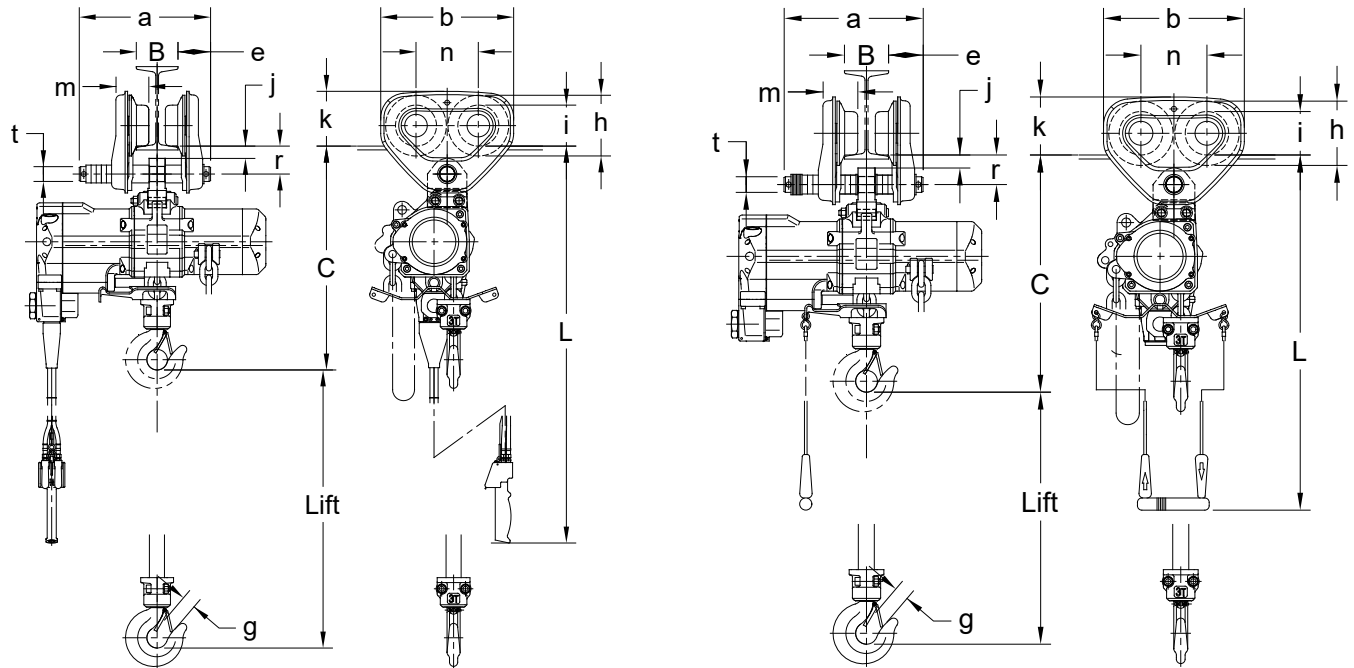
*Minimum flange width for curved beam: 3 Ton Push and Geared = 3.50 in.

CORD MODEL WITH PUSH OR GEARED TROLLEY—SPECIFICATIONS

Cap. (Tons)	Product Code	Standard Lift (ft)	Cord L (ft)	Up/Down Speeds (ft/min @ 90 psi)		Up/Down Air Consumption Rates (cubic ft/min @ 90 psi)		Flange Width Adjustability B (in)		Minimum* Allow. Radius for Curve (in)	Load Chain Diameter (mm) x Chain Fall Lines	Net Weight (lbs)	Weight for Additional One Foot of Lift (lbs)
				No Load	Full Load	No Load	Full Load	Standard	Optional				
3	TCKP(TCKG)3000C	10	7.3	37 / 23	18 / 38	148 / 141	124 / 152	3.23 to 6.02	6.03 to 12.00	25.6 (66.9)	12.5 x 1	269 (284)	2.3 (2.9)
6	TCKP(TCKG)6000C2		7.3	18 / 12	9 / 19	148 / 141	124 / 152	5.50 to 8.66	8.67 to 12.00	118.1	12.5 x 2	505 (551)	4.6 (5.2)

Figures in parenthesis are data for geared trolley

*Minimum flange width for curved beam: 3 Ton Push and Geared = 3.50 in.



TCKP3000P

TCKP3000C

PENDANT AND CORD MODEL WITH PUSH TROLLEY—DIMENSIONS

Cap. (Tons)	Product Code	Headroom C (in)	a (in)	b (in)	e (in)	g (in)	h (in)	i (in)	j (in)	k (in)	m (in)	n (in)	r (in)	t (in)
3	TCKP3000C/P	21.5	12.6	12.8	3.1	1.3	5.8	3.94	1.2	5.3	3.1	6.0	2.7	1.42
6	TCKP6000C2/P2	33.4	17.6	18.9	4.1	1.7	7.3	6.10	3.5	6.7	3.4	7.7	6.0	2.76

PENDANT AND CORD MODEL WITH GEARED TROLLEY—DIMENSIONS

Cap. (Tons)	Product Code	Headroom C (in)	E (ft)	a (in)	b (in)	e (in)	g (in)	h (in)	i (in)	j (in)	k (in)	k' (in)	m (in)	n (in)	r (in)	t (in)	u (in)
3	TCKG3000C/P	21.5	9.8	31.2	12.8	15.9	1.3	5.8	3.94	1.2	5.3	4.5	3.1	6.0	2.7	1.42	7.2
6	TCKG6000C2/P2	33.4	10.8	29.7	18.9	14.6	1.7	7.3	6.10	3.4	6.7	6.5	3.4	7.7	6.0	2.76	8.4

