

TCL Lube Free Air Powered Hoists with Pendant and Cord Controls and Hook Suspension

Harrington's TCL Series lube free air hoists are able to operate without air supply lubrication which leaves the surrounding environment free of oil mist from the air exhaust. Our TCL series hoists are recommended for use in any area where oil mist cannot be tolerated such as in food, chemical or pharmaceutical industries. These hoists feature precise load positioning with either pendant or cord control.

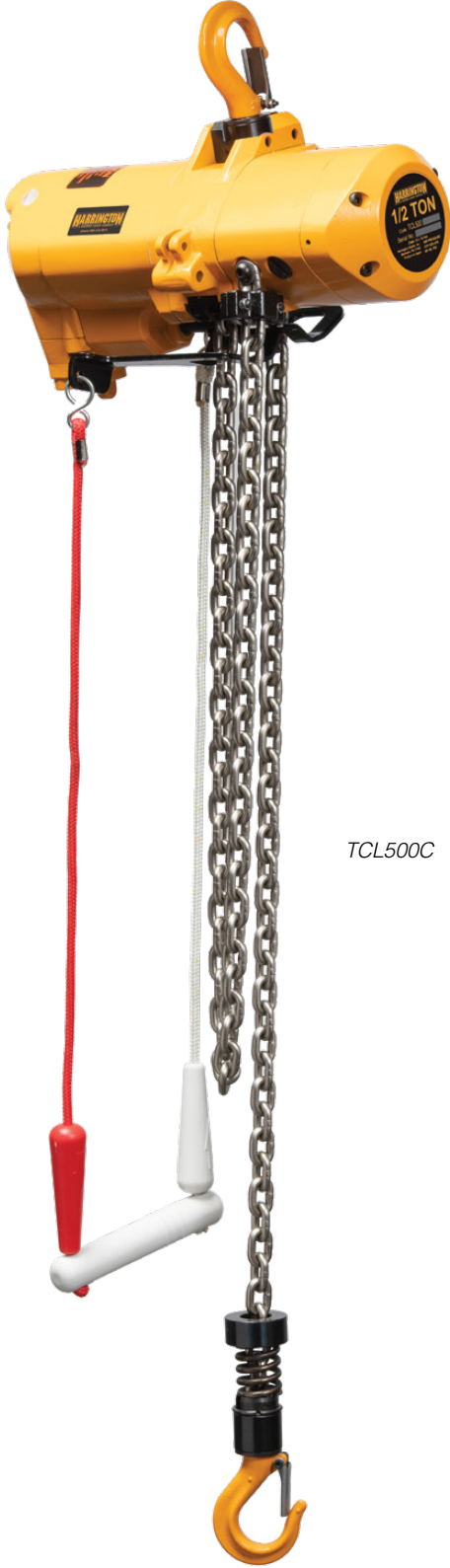
Features and Benefits

Standard Hoist Specifications

<p>Unlimited Duty Cycle For continuous operation</p> <p>Spring-Loaded Multi-Vane Motor Design Permits very fine feathering control</p> <p>Extremely Fast Lifting For applications where speed is critical</p> <p>Low Noise Levels Adds to operator comfort</p> <p>Nickel-Plated Load Chain Resistant to corrosion, abrasion and wear</p> <p>Lubrication Free For applications where a clean environment is needed</p> <p>1/4 – 1 Ton Capacities</p> <p>Extremely Compact & Lightweight Body Cast aluminum body allows for easy operation, transportation and storage</p> <p>External Speed Adjustment Screw No tools required to set specific speeds</p> <p>Adjustable Lifting and Lowering Speeds Increases production capabilities</p> <p>Heavy-duty Disc Motor Brake System For reliable load support</p> <p>3 – 6 Ton Capacities</p> <p>Overload Limiter Adjustable load limiter detects overload automatically and blocks air flow for lifting</p> <p>Cast Iron Housing For strength and durability</p> <p>Powder Coated Finish Proven weather resistant in harsh environments</p> <p>Internal Disc Brake Protected from harsh environments</p>	<p>Capacity Range 1/4 – 6 Ton</p> <p>Standard Lift 10' (longer lifts available)</p> <p>Standard Pendant or Cord Length Hangs approximately 4 ft. above the hoist's fully extended bottom hook (longer lengths available)</p> <p>Air Supply Requirement 60 – 90 psi</p> <p>Air Filtration Maximum 5 micron air filter or finer required</p> <p>Air Inlet Port 1/4 – 1 Tons – 1/2" NPT 3 – 6 Tons – 1" NPT</p> <p>Air Supply Hose Minimum Size 1/4 – 1 Tons – 1/2" 3 – 6 Tons – 3/4"</p> <p>Temperature Range +14° – 140°F</p> <p>Chain Containers Optional Canvas or Steel</p>
--	--



TCL1000P2



TCL500C

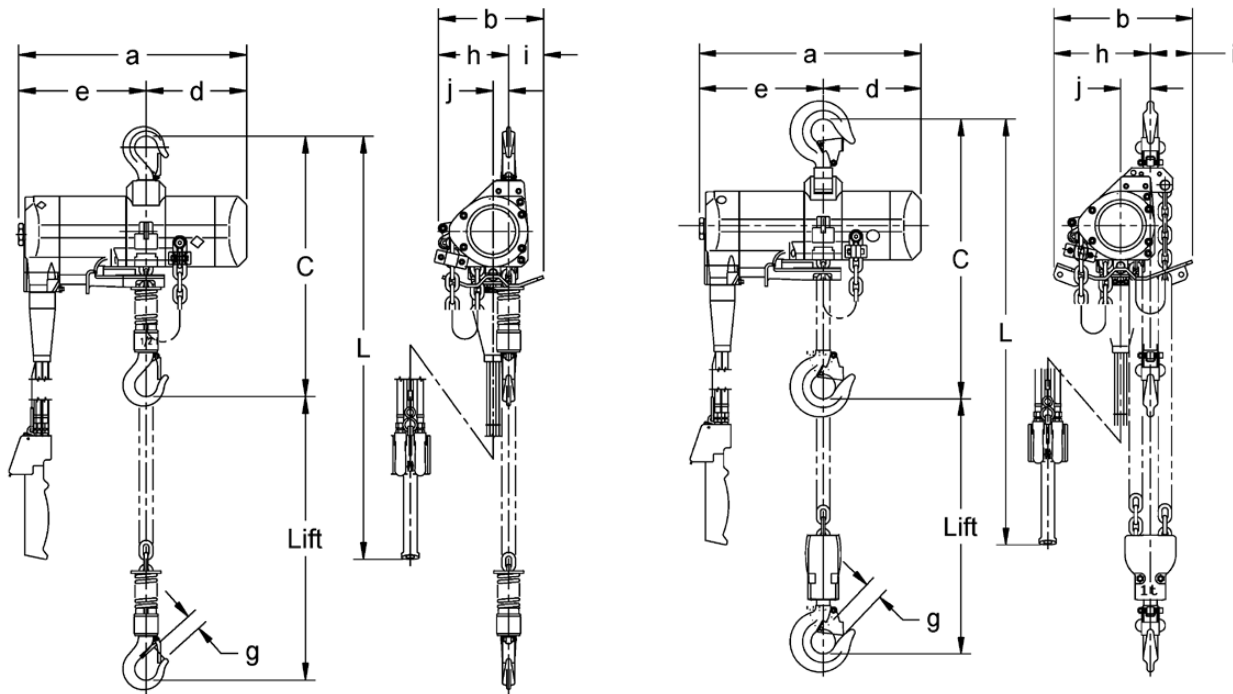
TCL Lube Free Air Powered Hoists with Pendant and Cord Controls and Hook Suspension

PENDANT MODEL—SPECIFICATIONS

Cap. (Tons)	Product Code	Standard Lift (ft)	Push Button Hose L (ft)	Up/Down Speeds (ft/min @ 90 psi)		Up/Down Air Consumption Rates (cubic ft/min @ 90 psi)		Load Chain Diameter (mm) x Chain Fall Lines	Net Weight (lbs)	Weight for Additional One Foot of Lift (lbs)
				No Load	Full Load	No Load	Full Load			
1/4	TCL250P	10	8.2	151 / 105	85 / 144	64 / 57	57 / 64	6.3 x 1	46	0.6
1/2	TCL500P			79 / 53	43 / 79	64 / 57	57 / 64	6.3 x 1	46	0.6
1	TCL1000P2			39 / 26	21 / 39	64 / 57	57 / 64	6.3 x 2	60	1.2
3	TCL3000P	10	8.6	24 / 14	10 / 22	131 / 124	106 / 141	12.5 x 1	225	2.3
6	TCL6000P2			12 / 7.2	4.9 / 11	131 / 124	106 / 141	12.5 x 2	295	4.6

PENDANT MODEL—DIMENSIONS

Cap. (Tons)	Product Code	Headroom C (in)	a (in)	b (in)	d (in)	e (in)	g (in)	h (in)	i (in)	j (in)
1/4	TCL250P	16.3	14.4	6.6	6.4	8.0	1.0	4.4	2.2	1.0
1/2	TCL500P	16.3	14.4	6.6	6.4	8.0	1.0	4.9	2.2	1.0
1	TCL1000P2	18.0	14.4	9.0	6.4	8.0	1.1	6.3	2.7	1.9
3	TCL3000P	21.1	22.7	12.3	10.4	12.2	1.3	7.4	4.9	1.3
6	TCL6000P2	30.3	22.7	14.6	10.4	12.2	1.7	9.6	5.0	3.5



TCL500P

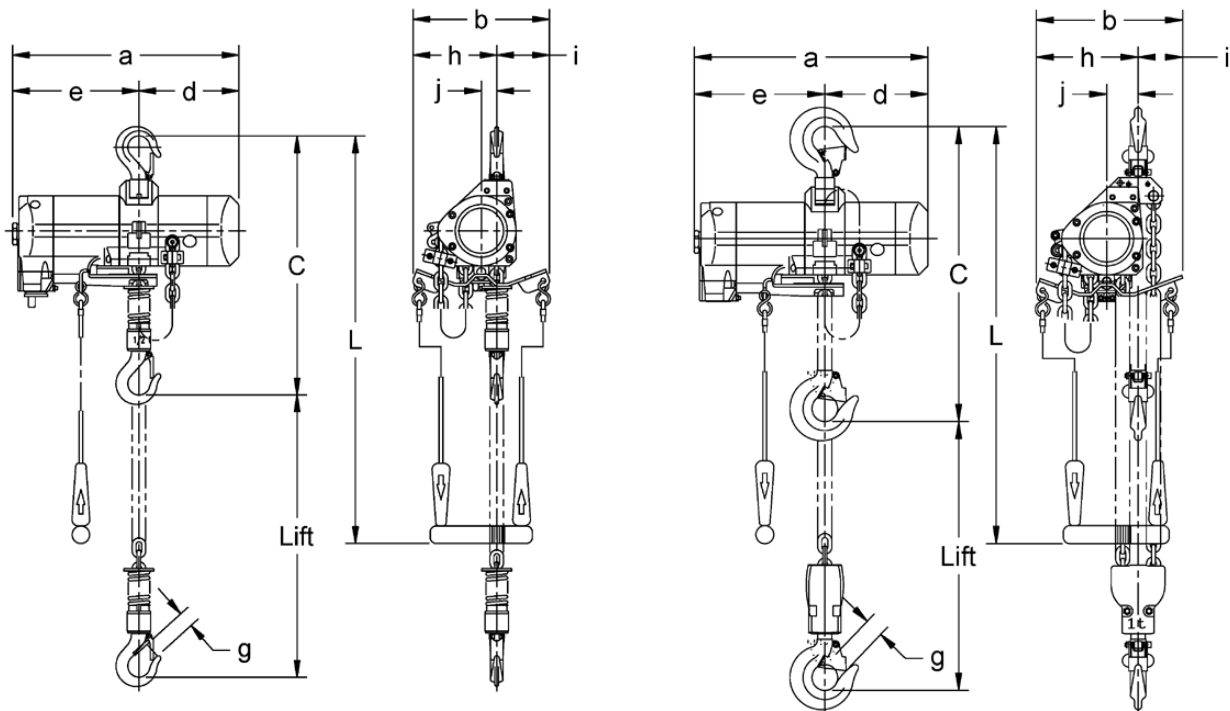
TCL1000P2

CORD MODEL—SPECIFICATIONS

Cap. (Tons)	Product Code	Standard Lift (ft)	Cord L (ft)	Up/Down Speeds (ft/min @ 90 psi)		Up/Down Air Consumption Rates (cubic ft/min @ 90 psi)		Load Chain Diameter (mm) x Chain Fall Lines	Net Weight (lbs)	Weight for Additional One Foot of Lift (lbs)
				No Load	Full Load	No Load	Full Load			
1/4	TCL250C	10	7.3	151 / 105	85 / 144	64 / 57	57 / 64	6.3 x 1	44	0.6
1/2	TCL500C			79 / 53	43 / 79	64 / 57	57 / 64	6.3 x 1	44	0.6
1	TCL1000C2			39 / 26	21 / 39	64 / 57	57 / 64	6.3 x 2	58	1.2
3	TCL3000C			24 / 14	10 / 22	131 / 124	106 / 141	12.5 x 1	223	2.3
6	TCL6000C2			12 / 7.2	4.9 / 11	131 / 124	106 / 141	12.5 x 2	293	4.6

CORD MODEL—DIMENSIONS

Cap. (Tons)	Product Code	Headroom C (in)	a (in)	b (in)	d (in)	e (in)	g (in)	h (in)	i (in)	j (in)
1/4	TCL250C	16.3	14.4	8.7	6.4	8.0	1.0	5.3	3.3	1.0
1/2	TCL500C	16.3	14.4	8.7	6.4	8.0	1.0	5.3	3.3	1.0
1	TCL1000C2	18.0	14.4	9.0	6.4	8.0	1.1	6.3	2.7	1.9
3	TCL3000C	21.1	22.7	12.3	10.4	12.2	1.3	7.4	4.9	1.3
6	TCL6000C2	30.3	22.7	14.6	10.4	12.2	1.7	9.6	5.0	3.5



TCL500C

TCL1000C2

TCL Lube Free Air Powered Hoists with Air Powered, Push and Geared Trolleys

For added mobility, add Harrington's MCL air powered trolley to our TCL lube free hoists to easily transport medium to heavy loads. You can also mount these hoists to our PT push trolley or GT geared trolley for lighter or more infrequent moves.

Features and Benefits

Standard Hoist Specifications

<p>Air Powered Trolleys</p> <p>Unlimited Duty Cycle For continuous operation</p> <p>Spring-Loaded Multi-Vane Motor Design Permits smooth operation and controlled travel</p> <p>Drop Stops & Rubber Bumpers To ensure safe operation</p> <p>Side Guide Rollers Provide additional stability and smooth travel</p> <p>Versatile Wheels Fit flat or tapered beam flange</p> <p>Trolley Muffler Produces low noise levels</p> <p>Nickel-Plated Load Chain Resistant to corrosion, abrasion and wear</p> <p>Lubrication Free For applications where a clean environment is needed</p> <p>1/4 – 1 Ton Capacities</p> <p>Extremely Compact & Lightweight Body Cast aluminum body allows for easy operation, transportation and storage</p> <p>3 – 6 Ton Capacities</p> <p>Cast Iron Housing For strength and durability</p> <p>Powder Coated Finish Proven weather resistant in harsh environments</p> <p>Internal Disc Brake Protected from harsh environments</p> <p>Manual Trolleys</p> <p>Shafts Standard shafts fit wide range of beams Longer shafts available for larger beams Spacers for easy adjustments</p> <p>Wheels All steel Sealed ball bearings Fit flat or tapered beam flange</p>	<p>Air Powered Trolleys</p> <p>Capacity Range 1/4 – 6 Ton</p> <p>Control Option on Trolley/Hoist TCLM – Pendant control only</p> <p>Standard Pendant Length Hangs approximately 4' above the hoist's fully extended bottom hook (longer lengths available)</p> <p>Air Supply Requirement 53 cfm at 60 – 90 psi</p> <p>Air Filtration Maximum 5 micron air filter or finer required</p> <p>Air Inlet Port 3/4" NPT</p> <p>Air Supply Hose Minimum Size 1/4 – 2 Tons – 1/2" 3 – 6 Tons – 3/4"</p> <p>Operating Conditions Temperature range +14° to 140°F Humidity 85% or less</p> <p>Manual Trolleys</p> <p>Capacity Range Push – 1/4 – 6 Ton Geared – 3 – 6 Ton</p> <p>Control Option on Hoist TCLP and TCLG – Pendant and cord</p> <p>Standard Hand Chain Length On geared trolleys Hangs approximately 2' less than fully extended bottom hook (longer lengths available)</p>
---	--



TCLM1000P2



TCLP500P

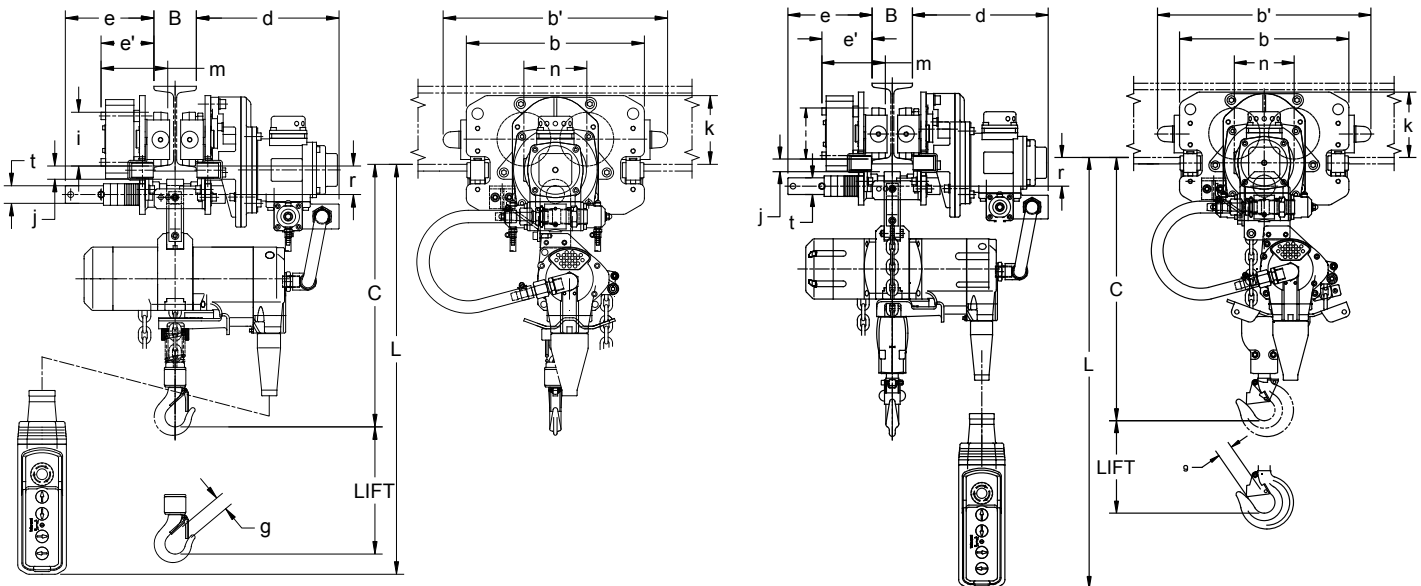
TCL Lube Free Air Powered Hoists with Air Powered, Push and Geared Trolleys

PENDANT MODEL WITH AIR POWERED TROLLEY—SPECIFICATIONS

Cap. (Tons)	Product Code	Standard Lift (ft)	Push Button Hose L (ft)	Up/Down Speeds (ft/min @ 90 psi)		Traversing Speed (ft/min)	Air Consumption Rates (cfm @ 90 psi)			Flange Width Adjustability B (in)	Minimum Allow. Radius for Curve (in)	Load Chain Diameter (mm) x Chain Fall Lines	Net Weight (lbs)	Weight for Additional One Foot of Lift (lbs)
							TCR		MCL					
							No Load	Full Load	No Load Full Load					
1/4	TCLM250P	10	8.2	151 / 105	85 / 144	65	64 / 57	57 / 64	53	2.28 to 5.00	137.8	6.3 x 1	151	0.6
1/2	TCLM500P			79 / 53	43 / 79		64 / 57	57 / 64	53			6.3 x 1	151	0.6
1	TCLM1000P2			39 / 26	21 / 39		64 / 57	57 / 64	53			6.3 x 2	165	1.2
3	TCLM3000P	10	8.6	24 / 14	10 / 22	65	131 / 124	106 / 141	53	3.94 to 6.02	51.2	12.5 x 1	326	2.3
6	TCLM6000P2			12 / 7.2	4.9 / 11		131 / 124	106 / 141	53	4.92 to 7.02	78.7	12.5 x 2	461	4.6

PENDANT MODEL WITH AIR POWERED TROLLEY—DIMENSIONS

Cap. (Tons)	Product Code	Headroom C (in)	b (in)	b' (in)	d (in)	e (in)	e' (in)	g (in)	i (in)	j (in)	k (in)	m (in)	n (in)	r (in)	t (in)
1/4	TCLM250P	18.3	12.4	15.6	9.9	6.2	3.7	1.0	3.7	0.9	4.8	4.6	4.4	2.0	1.2
1/2	TCLM500P	18.3	12.4	15.6	9.9	6.2	3.7	1.0	3.7	0.9	4.8	4.6	4.4	2.0	1.2
1	TCLM1000P2	19.3	12.4	15.6	9.9	6.2	3.7	1.1	3.7	0.9	4.8	4.6	4.4	2.0	1.2
3	TCLM3000P	29.5	13.4	17.4	10.5	6.9	3.9	1.3	4.9	1.4	5.0	5.1	5.5	2.8	1.7
6	TCLM6000P2	34.1	15.7	19.8	10.8	8.1	4.3	1.7	5.5	1.4	5.5	5.7	6.1	3.9	2.3



TCLM500P

TCLM1000P2

PENDANT MODEL WITH PUSH OR GEARED TROLLEY—SPECIFICATIONS

Cap. (Tons)	Product Code	Standard Lift (ft)	Push Button Hose L (ft)	Up/Down Speeds (ft/min @ 90 psi)		Up/Down Air Consumption Rates (cubic ft/min @ 90 psi)		Flange Width Adjustability B (in)		Minimum* Allow. Radius for Curve (in)	Load Chain Diameter (mm) x Chain Fall Lines	Net Weight (lbs)	Weight for Additional One Foot of Lift (lbs)
				No Load	Full Load	No Load	Full Load	Standard	Optional				
1/4	TCLPL250P	10	8.2	151 / 105	85 / 144	64 / 57	57 / 64	2.28 to 4.00	4.01 to 8.00	13.8	6.3 x 1	56	0.6
1/2	TCLPL500P			79 / 53	43 / 79	64 / 57	57 / 64		OR 8.01 to 12.00		6.3 x 1	56	0.6
1	TCLPL1000P2			39 / 26	21 / 39	64 / 57	57 / 64	2.28 to 5.00	5.01 to 8.00 OR 8.01 to 12.00	17.7	6.3 x 2	78	1.2
3	TCLP(TCLG)3000P	10	8.6	24 / 14	10 / 22	131 / 124	106 / 141	3.23 to 6.02	6.03 to 12.00	25.6 (66.9)	12.5 x 1	271 (287)	2.3 (2.9)
6	TCLP(TCLG)6000P2			12 / 7.2	4.9 / 11	131 / 124	106 / 141	5.50 to 8.66	8.67 to 12.00	118.1	12.5 x 2	507 (553)	4.6 (5.26)

Figures in parenthesis are data for geared trolley

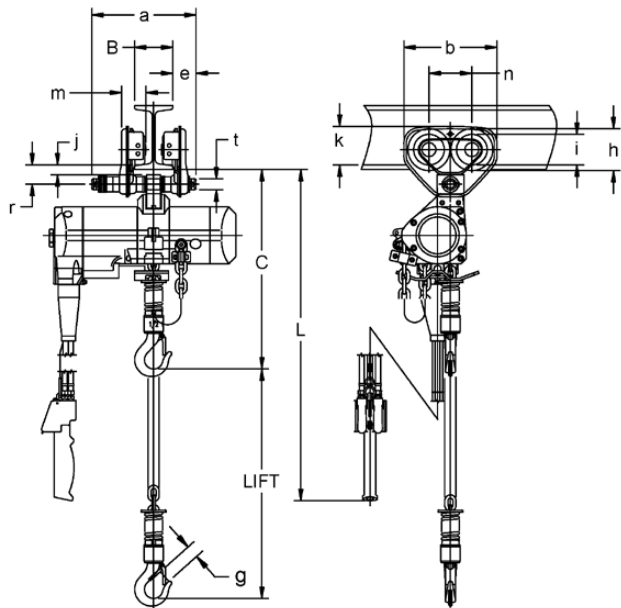
*Minimum flange width for curved beam: 1 Ton Push and 1/8 to 1Ton Geared = 2.87 in.
3 Ton Push and Geared = 3.50 in.

CORD MODEL WITH PUSH OR GEARED TROLLEY—SPECIFICATIONS

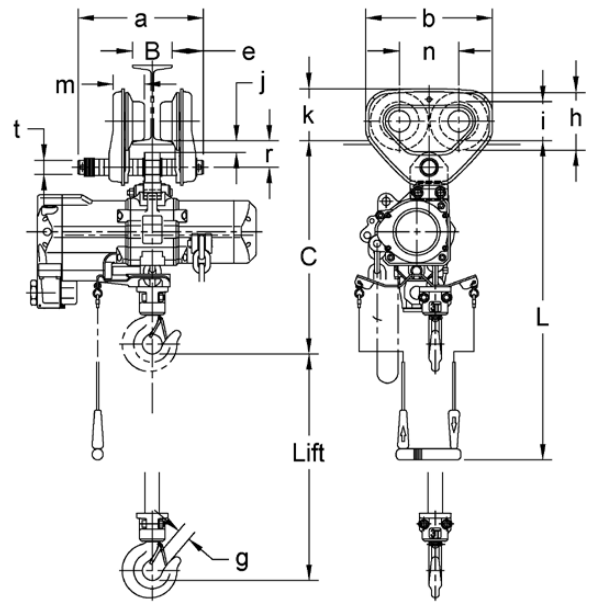
Cap. (Tons)	Product Code	Standard Lift (ft)	Cord L (ft)	Up/Down Speeds (ft/min @ 90 psi)		Up/Down Air Consumption Rates (cubic ft/min @ 90 psi)		Flange Width Adjustability B (in)		Minimum* Allow. Radius for Curve (in)	Load Chain Diameter (mm) x Chain Fall Lines	Net Weight (lbs)	Weight for Additional One Foot of Lift (lbs)
				No Load	Full Load	No Load	Full Load	Standard	Optional				
1/4	TCLPL250C	10	7.3	151 / 105	85 / 144	64 / 57	57 / 64	2.28 to 4.00	4.01 to 8.00	13.8	6.3 x 1	54	0.6
1/2	TCLPL500C			79 / 53	43 / 79	64 / 57	57 / 64		OR 8.01 to 12.00		6.3 x 1	54	0.6
1	TCLPL1000C2			39 / 26	21 / 39	64 / 57	57 / 64	2.28 to 5.00	5.01 to 8.00 OR 8.01 to 12.00	17.7	6.3 x 2	76	1.2
3	TCLP(TCLG)3000C	10	7.3	24 / 14	10 / 22	131 / 124	106 / 141	3.23 to 6.02	6.03 to 12.00	25.6 (66.9)	12.5 x 1	269 (284)	2.3 (2.9)
6	TCLP(TCLG)6000C2			12 / 7.2	4.9 / 11	131 / 124	106 / 141	5.50 to 8.66	8.67 to 12.00	118.1	12.5 x 2	505 (551)	4.6 (5.2)

Figures in parenthesis are data for geared trolley

*Minimum flange width for curved beam: 1 Ton Push and 1/8 to 1Ton Geared = 2.87 in.
3 Ton Push and Geared = 3.50 in.



TCLP500P

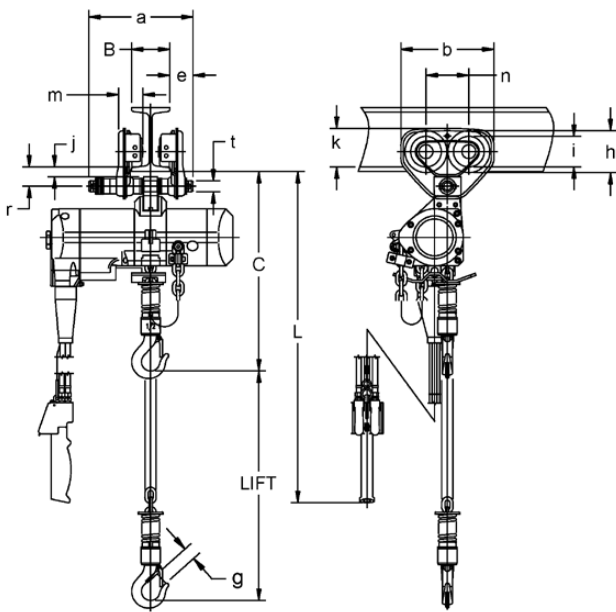


TCLP3000C

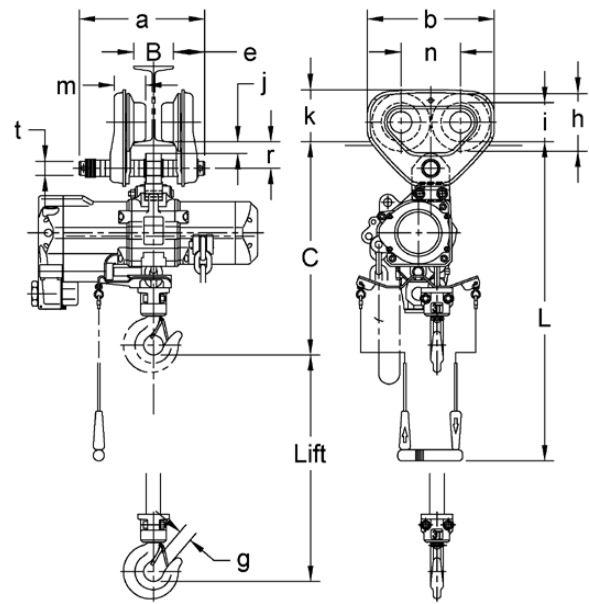
TCL Lube Free Air Powered Hoists with Air Powered, Push and Geared Trolleys

PENDANT AND CORD MODEL WITH PUSH TROLLEY—DIMENSIONS

Cap. (Tons)	Product Code	Headroom C (in)	a (in)	b (in)	e (in)	g (in)	h (in)	i (in)	j (in)	k (in)	m (in)	n (in)	r (in)	t (in)
1/4	TCLP250P	15.4	8.0	7.2	1.8	1.0	3.2	2.36	0.8	3.0	1.9	3.3	1.5	0.87
1/2	TCLP500P	15.4	8.0	7.2	1.8	1.0	3.2	2.36	0.8	3.0	1.9	3.3	1.5	0.87
1	TCLP1000P2	17.0	9.8	9.3	2.2	1.1	4.2	2.80	1.2	3.7	2.2	4.4	2.0	0.98
3	TCLP3000C/P	21.1	12.6	12.8	3.2	1.3	5.8	3.94	1.2	5.3	3.1	6.0	2.7	1.42
6	TCLP6000C2/P2	28.8	17.6	18.9	4.1	1.7	7.3	6.10	3.5	6.7	3.4	7.7	6.0	2.76



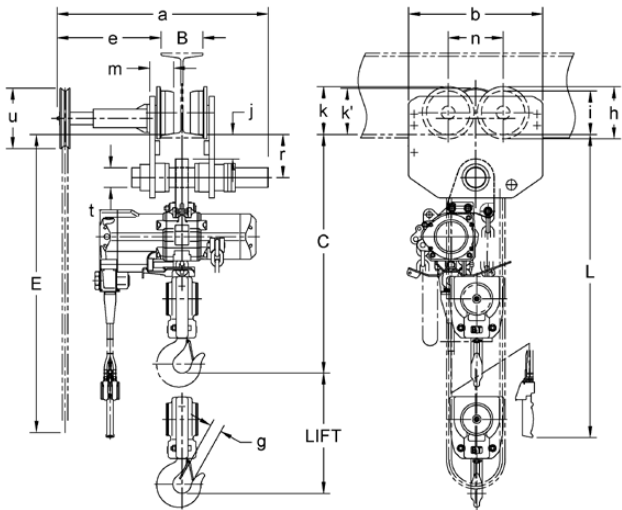
TCLP500P



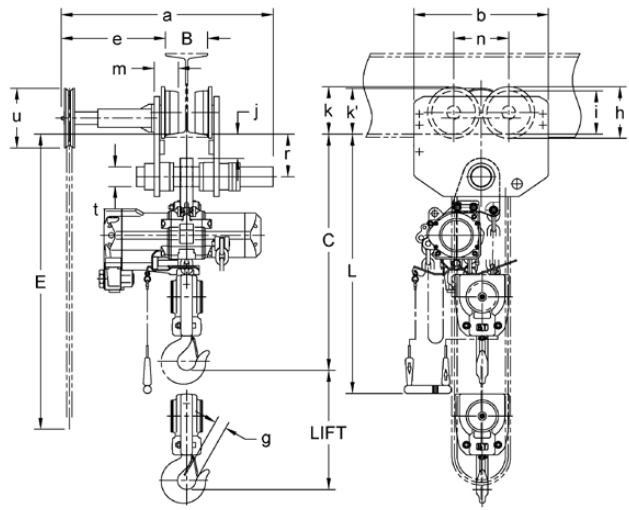
TCLP3000C

PENDANT AND CORD MODEL WITH GEARED TROLLEY—DIMENSIONS

Cap. (Tons)	Product Code	Headroom C (in)	E (ft)	a (in)	b (in)	e (in)	g (in)	h (in)	i (in)	j (in)	k (in)	k' (in)	m (in)	n (in)	r (in)	t (in)	u (in)
3	TCLG3000C/P	21.5	9.8	31.2	12.8	15.9	1.3	5.8	3.94	1.2	5.3	4.5	3.1	6.0	2.7	1.42	7.2
6	TCLG6000C2/P2	33.4	10.8	29.7	18.9	14.6	1.7	7.3	6.10	3.4	6.7	6.5	3.4	7.7	6.0	2.76	8.4



TCLG6000P2



TCLG6000C2