

# RAZE

PRO SERIES



FOR SALES, CONTACT CRANE DEPOT AT (800) 347-9975  
OR [INFO@CRANEDEPOT.COM](mailto:INFO@CRANEDEPOT.COM)

# STANDARD FEATURES ON RAZE PRO SERIES

Hoist motor features aluminum alloy cast housing for optimal motor heat dissipation and to reduce overall hoist height

Mechanical load brake assures braking even under overload conditions

Electro-Magnetic Brake provides instant braking and releasing of the full load upon push button command

Electric controls feature magnetic circuit breakers instead of fuses. In case of overload trip, the circuit breaker can be easily reset, eliminating the need to replace fuses. Phase error relay protection is also provided to prevent the motor from running when wired incorrectly. Variable frequency controls are available

Upper and lower travel limit switches prevent the load from being raised too high and the chain running out

Heavy duty chain bag comes standard with all units

Grade 80 case hardened alloy steel chain endures harsh conditions

2 push button pendant with emergency stop is durable, light weight, and water-proof. Power to pendant control transformed to 115v to ensure safe operation in case of short circuit

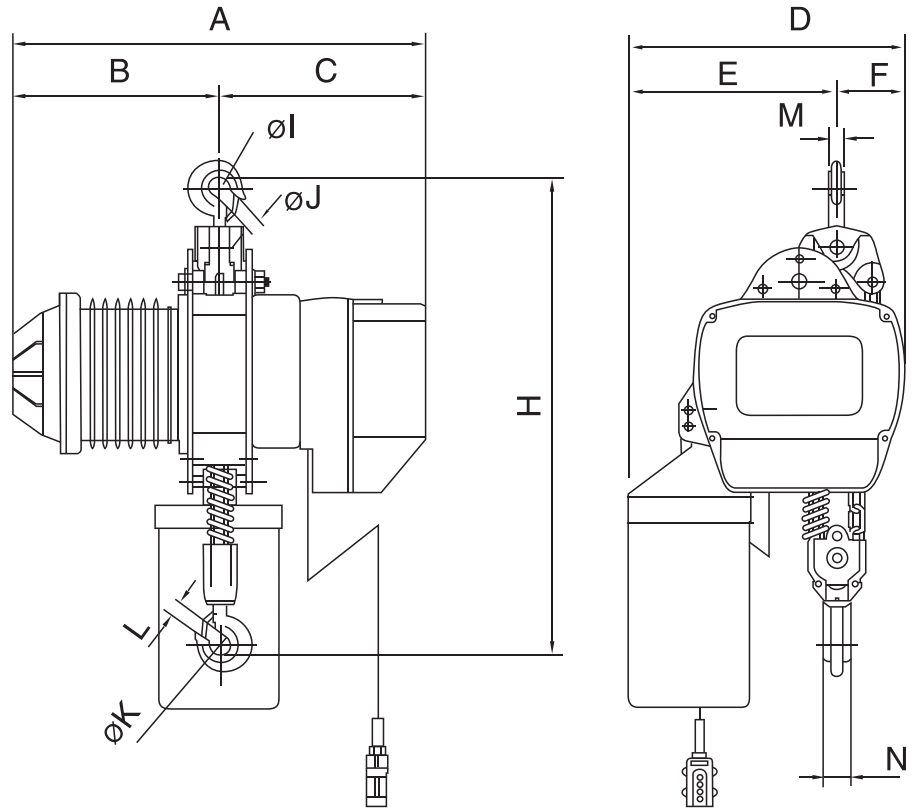
Forged steel 360° swivel hook with safety latch

FOR SALES, CONTACT CRANE DEPOT AT (800) 347-9975  
OR [INFO@CRANEDEPOT.COM](mailto:INFO@CRANEDEPOT.COM)

# THREE PHASE 230/460V

## RAZE TWO SPEED PRO SERIES

### TWO SPEED PRO SERIES



MODEL	CAPACITY (ton)	WEIGHT (at 20)	SPEED (FPM)	CHAIN FALLS	INCHES												
					H	A	B	C	D	E	F	I	J	K	L	M	N
RZD-050	0.5	111LBS	26/9	1	23.43	19.88	9.65	10.24	9.45	4.53	4.92	1.58	1.10	1.58	1.10	0.91	0.91
RZD-100	1	111LBS	18/6	1	23.43	19.88	9.65	10.24	9.45	4.53	4.92	1.58	1.10	1.58	1.10	0.91	0.91
RZD-200	2	134LBS	9/3	2	29.33	19.88	9.65	10.24	9.45	6.89	2.56	1.81	1.42	1.81	1.42	1.22	1.22

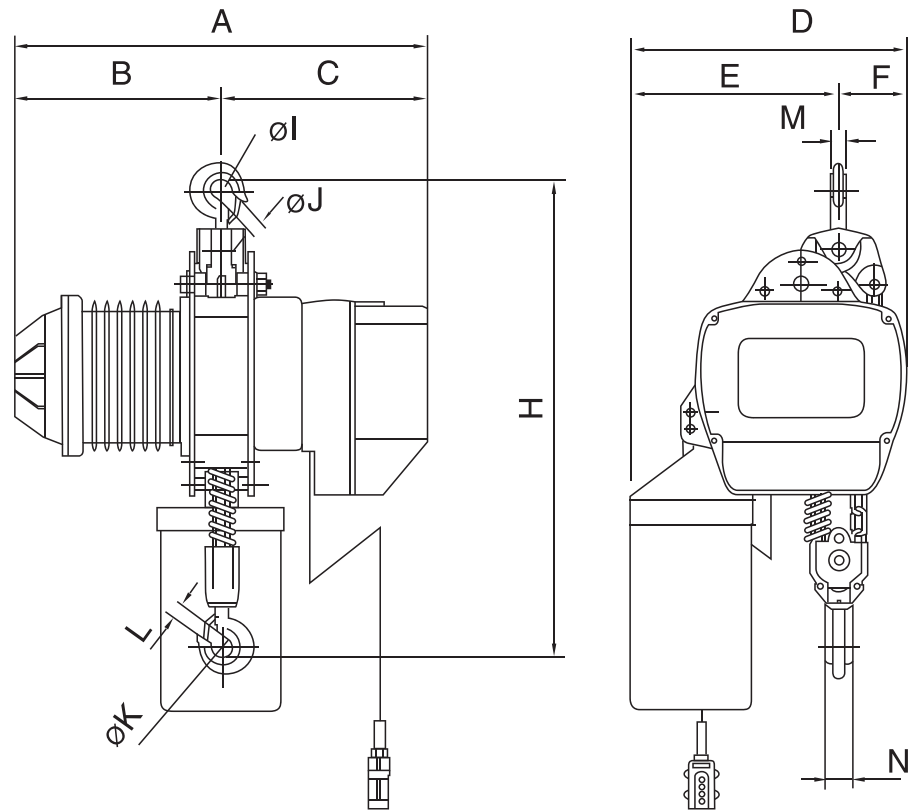
FOR SALES, CONTACT CRANE DEPOT AT (800) 347-9975  
OR [INFO@CRANEDEPOT.COM](mailto:INFO@CRANEDEPOT.COM)

# PRO SERIES SINGLE PHASE 115V

## RAZE SERIES



TWO SPEED PRO SERIES



MODEL	CAPACITY (ton)	WEIGHT (at 20)	SPEED (FPM)	CHAIN FALLS	INCHES												
					H	A	B	C	D	E	F	I	J	K	L	M	N
RZSP-050	0.5	121LBS	22	1	23.43	19.88	9.65	10.24	9.45	4.53	4.92	1.58	1.10	1.58	1.10	0.91	0.91
RZSP-100	1	121LBS	15	1	23.43	19.88	9.65	10.24	9.45	4.53	4.92	1.58	1.10	1.58	1.10	0.91	0.91
RZSP-200	2	142LBS	8	2	29.33	19.88	9.65	10.24	9.45	6.89	2.56	1.81	1.42	1.81	1.42	1.22	1.22

FOR SALES, CONTACT CRANE DEPOT AT (800) 347-9975  
OR INFO@CRANEDEPOT.COM