

RAZE

RZPT
PUSH TROLLEY



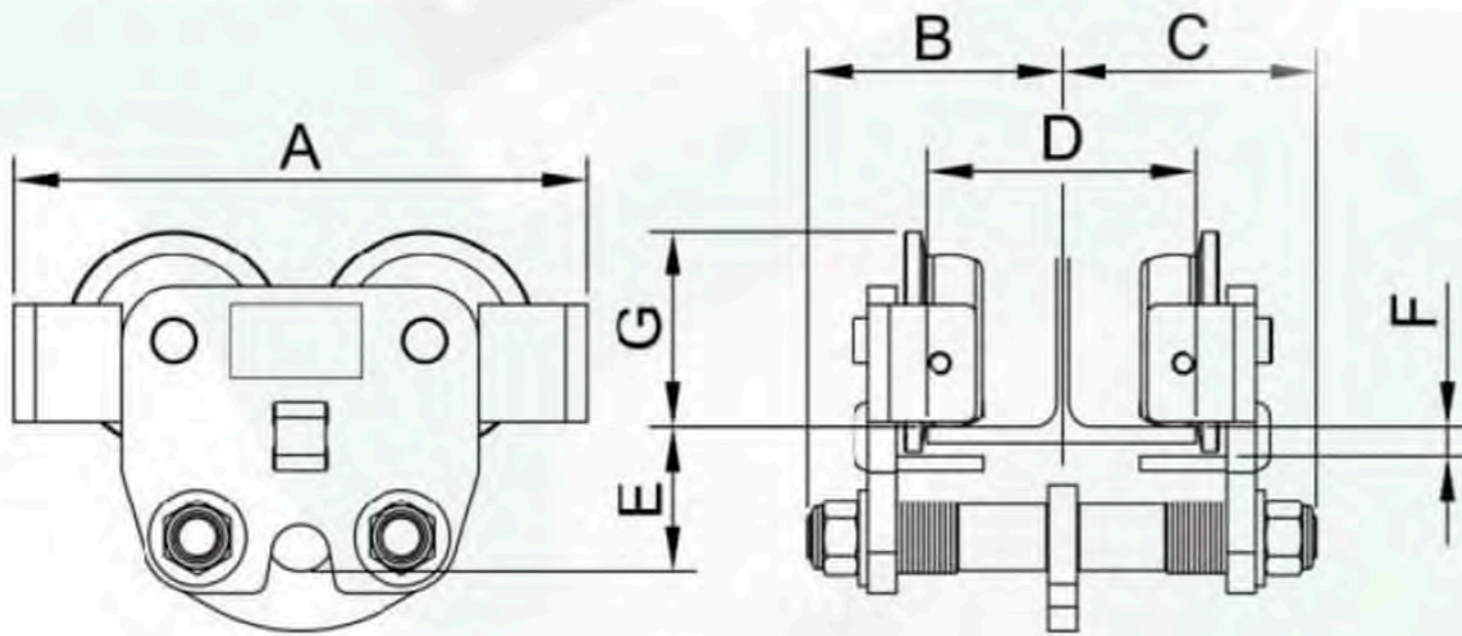
RZPT

PUSH TROLLEY

Product Introduction

A plain trolley rated for both manual or powered hoists, with the versatility to fit most types of beams and compatibility to all hoist brands.

- The 5:1 design factor allows the PT Series to be used with both manual or powered hoists. Meets pertinent U.S. (ASME/ANSI and CMAA), Canadian and European standards.
- The side plates, including the rail sweeps/drop stops, are made of cold formed steel for strength, durability and even load distribution.
- The wheel axles are 'rivet-locked' in place so they will not come loose. They are NOT knurled, welded, or modified bolts.
- The wheels are cast iron. The 'universal' tread fits either flat or tapered beams.
- Wheels run on sealed, 'lubed-for-life' ball bearings. Smoother rolling with less effort and...less maintenance.
- Wide hanger shaft assemblies allow the PT Series trolley to fit almost any I-Beam, H-Beam or patented track beam up to 8.06 in./205 mm width.



MODEL	CAPACITY	MIN. RADIUS (FT)	DIMENSIONS (IN)							WEIGHT (LBS)
			A	B	C	E	K	L	M	
RZPT-05	1/2	2.95	11.50	8.86	6.81	1.30	0.98	1.18	1.97-8.66	18
RZPT-1	1	3.28	11.81	9.92	7.40	1.22	1.18	1.38	2.28-8.66	23
RZPT-2	2	3.94	12.20	11.81	8.90	1.26	1.57	1.85	2.60-8.66	39
RZPT-3	3	4.27	12.76	14.17	11.38	1.81	1.89	2.28	2.91-8.66	68
RZPT-5	5	4.59	12.95	15.43	12.32	1.85	2.36	2.76	3.54-8.66	93