

GANTRY CRANES — T SERIES

STEEL LEGS WITH ALUMINUM I-BEAM

1-TON, 2-TON, AND 3-TON CAPACITIES: MODEL NUMBERS, SPECIFICATIONS & PRICES

Minimum height under beam (D1) is calculated at *minimum* caster frame spread.
 Maximum height under beam (D1) is calculated at *maximum* caster frame spread.
 Caster frame spread must always be at least a minimum of 50% of overall height (D2).



A Capacity	B Overall Span	C Clear Span	D1 Height Under Beam		D2 Overall Height		E1 Beam Size	E2 Beam Flange Width	F Caster Frame Spread		G Wheel Dia.	H Max Leg Clearance	Net Wt (Lbs.)	Model No.
			Min.	Max.	Min.	Max.			Min.	Max.				
1 TON	10 ft.	5' 2"	6' 2"	9' 6"	7' 0"	10' 4"	ALU6X4.3#	3-3/8"	4' 7"	7' 1"	8"	10"	808	1T109SA
		5' 2"	7' 4"	11' 11"	8' 5"	13' 0"	ALU8X6.35#	4"	6' 2"	10' 2"	8"	13"	935	1T1012SA
		5' 1"	9' 7"	14' 9"	10' 7"	15' 9"	ALU8X6.35#	4"	6' 2"	10' 2"	8"	11"	1028	1T1015SA
		5' 0"	11' 5"	17' 10"	12' 5"	18' 11"	ALU8X6.35#	4"	7' 7"	13' 1"	8"	12"	1239	1T1018SA
		5' 0"	14' 0"	21' 10"	14' 10"	21' 10"	ALU8X6.35#	4"	7' 7"	13' 1"	8"	11"	1343	1T1021SA
	15 ft.	10' 4"	5' 10"	9' 1"	7' 0"	10' 4"	ALU10X8.76#	4-5/8"	4' 7"	7' 1"	8"	13"	865	1T159SA
		10' 3"	7' 3"	11' 9"	8' 5"	13' 0"	ALU10X8.76#	4-5/8"	6' 2"	10' 2"	8"	15"	965	1T1512SA
		10' 2"	9' 5"	14' 7"	10' 7"	15' 9"	ALU10X8.76#	4-5/8"	6' 2"	10' 2"	8"	13"	1059	1T1515SA
		10' 1"	11' 3"	17' 9"	12' 5"	18' 11"	ALU10X8.76#	4-5/8"	7' 7"	13' 1"	8"	14"	1272	1T1518SA
		10' 1"	13' 6"	20' 6"	14' 10"	21' 10"	ALU12X10.99#	5"	7' 7"	13' 1"	8"	14"	1375	1T1521SA
2 TON	10 ft.	5' 7"	5' 10"	9' 1"	6' 8"	9' 11"	ALU10X8.76#	4-5/8"	4' 7"	7' 1"	8"	13"	885	2T109SA
		5' 6"	7' 3"	11' 10"	8' 1"	12' 8"	ALU10X8.76#	4-5/8"	6' 2"	10' 2"	8"	14"	1112	2T1012SA
		5' 5"	9' 5"	14' 7"	10' 3"	15' 5"	ALU10X8.76#	4-5/8"	6' 2"	10' 2"	8"	12"	1234	2T1015SA
		5' 4"	11' 3"	17' 8"	12' 1"	18' 6"	ALU10X8.76#	4-5/8"	7' 7"	13' 1"	8"	13"	1449	2T1018SA
		5' 3"	13' 8"	20' 8"	14' 6"	21' 6"	ALU10X8.76#	4-5/8"	7' 7"	13' 1"	8"	13"	1662	2T1021SA
	15 ft.	10' 3"	5' 10"	9' 1"	7' 2"	10' 5"	ALU12X10.99#	5"	4' 7"	7' 1"	8"	14"	1008	2T159SA
		10' 2"	7' 2"	11' 9"	8' 7"	13' 2"	ALU12X10.99#	5"	6' 2"	10' 2"	8"	17"	1133	2T1512SA
		10' 0"	9' 5"	14' 7"	10' 9"	15' 11"	ALU12X10.99#	5"	6' 2"	10' 2"	8"	14"	1244	2T1515SA
		10' 0"	11' 2"	17' 8"	12' 7"	19' 0"	ALU12X10.99#	5"	7' 7"	13' 1"	8"	15"	1354	2T1518SA
		9' 11"	13' 7"	20' 8"	14' 11"	22' 0"	ALU12X10.99#	5"	7' 7"	13' 1"	8"	14"	1792	2T1521SA
3 TON	10 ft.	5' 0"	6' 0"	9' 4"	7' 3"	10' 7"	ALU10X8.76#	4-5/8"	4' 7"	7' 1"	8"	14"	1284	3T109SA
		4' 11"	7' 5"	12' 0"	8' 8"	13' 3"	ALU10X8.76#	4-5/8"	6' 2"	10' 2"	8"	16"	1484	3T1012SA
		4' 11"	9' 5"	14' 7"	10' 10"	16' 0"	ALU12X10.99#	5"	6' 2"	10' 2"	8"	15"	1617	3T1015SA
		3' 3"	11' 3"	17' 8"	12' 8"	19' 2"	ALU12X10.99#	5"	7' 7"	13' 1"	8"	16"	1842	3T1018SA
	15 ft.	10' 1"	5' 11"	9' 2"	7' 3"	10' 7"	ALU12X10.99#*	5"	4' 7"	7' 1"	8"	15"	1418	3T159SA
		10' 0"	7' 3"	11' 10"	8' 8"	13' 3"	ALU12X10.99#*	5"	6' 2"	10' 2"	8"	18"	1615	3T1512SA
		9' 11"	9' 5"	14' 7"	10' 10"	16' 0"	ALU12X10.99#*	5"	6' 2"	10' 2"	8"	15"	1778	3T1515SA
		8' 3"	11' 3"	17' 8"	12' 8"	19' 2"	ALU12X10.99#*	5"	7' 7"	13' 1"	8"	16"	2050	3T1518SA

All weights are estimates and not guaranteed for shipping purposes. All dimensions are nominal.
 All models are supplied with non-marking polyurethane wheels on swivel casters with four-position swivel locks.
 * Capped Beam.

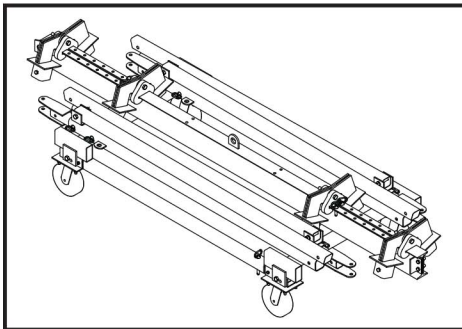
T SERIES OPTIONS

Handy Cart Kits

The optional cart kit makes the three-way adjustable T Series even more transportable, e.g., through low doorways, from building to building, onto a truck, etc. The cart kit attaches to the caster frames to transform the disassembled gantry into a transportable handcart.

Kit No.	Description	Weight* (lbs.)
TCK 1-2	For 1- and 2-Ton Cranes	46
TCK 3-5	For 3- and 5-Ton Cranes	55
TCK 8-10	For 8- and 10-Ton Cranes	94

*All weights are estimates and not guaranteed for shipping purposes.



Detachable Height Adjustment Kits

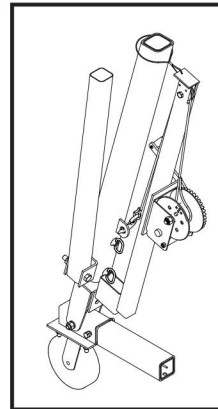
Optional height adjustment kits are convenient for frequent adjustments. These kits eliminate the need for an overhead hoist or forklift truck to make height adjustments.

Kits consist of two units for two legs: to accommodate four legs, please order two kits.

Must be used under no-load conditions only.

Kit No.	Description	Weight* (lbs.)
THA 1-5	For 1- to 5-Ton Cranes	94
THA 8-10	For 8- and 10-Ton Cranes	97

*All weights are estimates and not guaranteed for shipping purposes.



**For Additional Options & Accessories,
Including Track Mounting: See page 41**