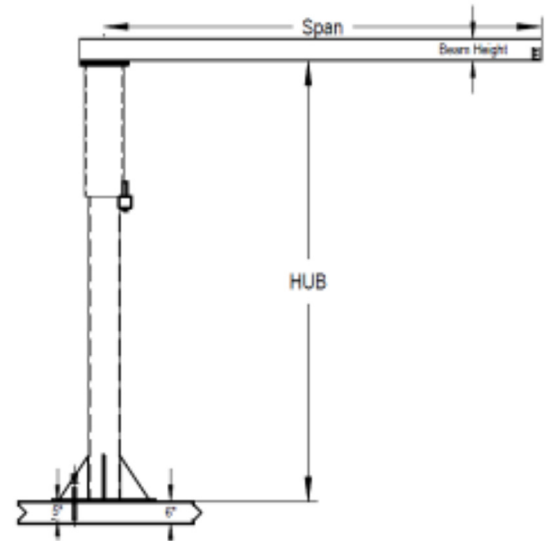




# Stainless Steel

## FL-Series Foundationless Floor Mounted Jib Crane 1/8 Ton Capacity



Capacity (Pounds)	Model	Hub	Span	Beam Height	Flange Width	Base Diameter	Unit Weight
250	FL2586-SS	8'	6'	6"	4"	26"	478#
250	FL2588-SS	8'	8'	6"	4"	26"	510#
250	FL25810-SS	8'	10'	6"	4"	26"	542#
250	FL25812-SS	8'	12'	6"	4"	26"	574#
250	FL25814-SS	8'	14'	8"	5-1/4"	26"	776#
250	FL25106-SS	10'	6'	6"	4"	26"	516#
250	FL25108-SS	10'	8'	6"	4"	26"	548#
250	FL251010-SS	10'	10'	6"	4"	26"	580#
250	FL251012-SS	10'	12'	6"	4"	26"	612#
250	FL251014-SS	10'	14'	8"	5-1/4"	26"	820#
250	FL25126-SS	12'	6'	6"	4"	26"	554#
250	FL25128-SS	12'	8'	6"	4"	26"	586#
250	FL251210-SS	12'	10'	6"	4"	26"	618#
250	FL251212-SS	12'	12'	6"	4"	26"	650#
250	FL251214-SS	12'	14'	8"	5-1/4"	26"	865#

Effective 11/2019

**NOTE:**

- Existing concrete must be a minimum of 6" thick reinforced with a minimum 3,000 psi (5 bag mix), soil pressure must support 2,500 psi.
- Concrete in and around the area (6' x 6') of the base plate must be free of cracks and must appear in good condition.
- All units have 26" diameter base and 22" bolt circle 6 holes 1-1/4" diameter.
- All foundations should be checked by a structural engineer.

- Options:** TG-SS Stainless Tagline Kit with S'Hooks  
 AB-FL25-SS Stainless Epoxy Anchor Kits, 6 bolts  
 26D6 Bolt Pattern Templates  
 Hoists & Trolleys - Contact Sales

