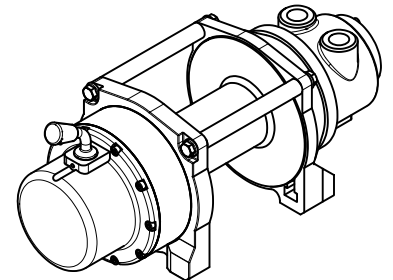
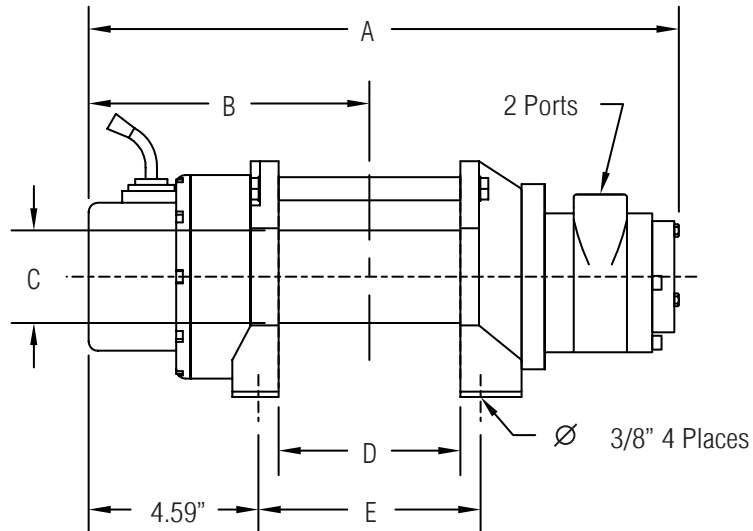
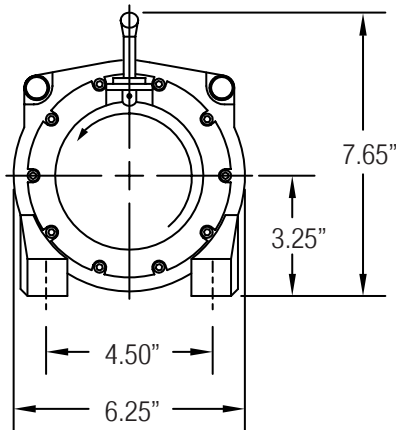


DIMENSIONAL DATA

All measurements are shown in inches.



Drum Size	Dimensions					Typical Weight	Wire Rope Capacity			Motor (HP)	Port Size
	A	B	C	D	E		3/16"	1/4"	5/16"		
-11	14.2"	6.59"	3.5"	2.7"	4.0"	32 LBS	99'	-	-	0.75	3/8" NPT
-01	15.9"	7.59"	2.5"	5.0"	6.0"	35 LBS	213'	120'	84'	1.25	1/2" NPT
-02	19.9"	9.59"	2.5"	9.0"	10.0"	39 LBS	384'	217'	147'		

PERFORMANCE

Model	HP	Power Input		Gear Ratio	Calculated Performance					
		PSI	SCFM		First Layer		Mean Drum		Full Drum	
					LBS	FPM	LBS	FPM	LBS	FPM
WD470-P ¹	0.75	50	70	113:1	470	35.9	387	43.8	327	51.7
WD650-P ¹	0.75	50	70	156:1	650	26.0	534	31.7	452	37.4
WD900-P ¹	0.75	50	70	216:1	900	18.8	739	22.9	625	27.0
WD1450-P ²	1.25	80	70	113:1	1450	26.0	1044	36.0	816	51.0
WD2000-P ²	1.25	80	70	156:1	2000	19.0	1440	26.0	1125	37.0
WD2700-P ²	1.25	80	70	216:1	2700	13.0	1952	19.0	1527	24.0

¹ -11 drum

² -01 and -02 drums

Performance based on intermittent duty cycles.

CAUTION: The final determination as to the suitability of this product for any purpose is solely that of the user. Columbia products are not to be used to lift people or to lift anything over people.