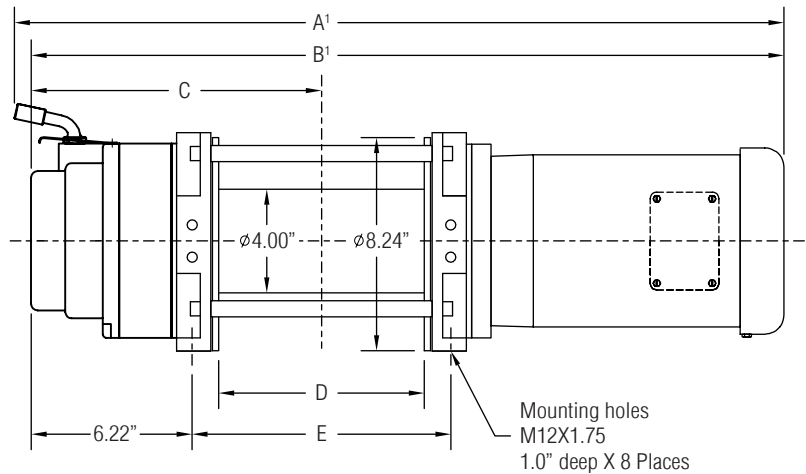
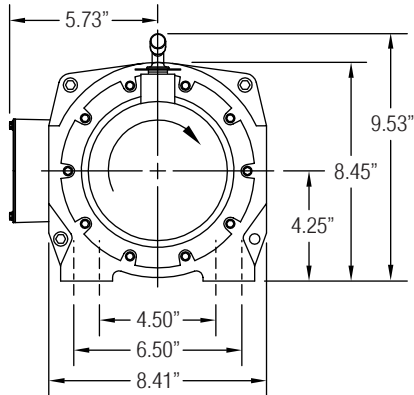
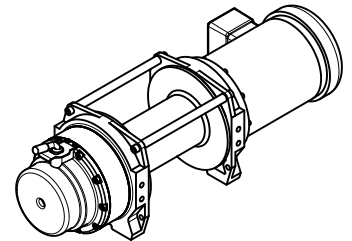


DIMENSIONAL DATA

All measurements are shown in inches.



Drum Size	Dimensions (Inches)					Typical Weight	Wire Rope Capacity		
	A ¹	B ¹	C	D	E		1/4"	5/16"	3/8"
-01	28.6"	28.0"	11.22"	8.0"	10.0"	132 LBS	326'	228'	159'
-02	30.6"	30.0"	12.22"	10.0"	12.0"	135 LBS	407'	285'	198'
-03	33.1"	32.5"	13.47"	12.5"	14.5"	145 LBS	509'	356'	248'



¹ Dimension for 1.5 HP 3Ø 1750 RPM motor shown.

PERFORMANCE

Model	Motor		Power Input		Gear Ratio	Calculated Performance					
	HP	RPM	Voltage	Ø		First Layer		Mean Drum		Full Drum	
						LBS	FPM	LBS	FPM	LBS	FPM
WG500	1.0	1700	115/230 230/460	1Ø 3Ø	36:1	500	55.7	375	72.2	305	88.7
WG750	1.5	1700	230 230/460	1Ø 3Ø	36:1	750	55.7	562	72.2	457	88.7
WG1000	2.0	1700	230/460	3Ø	36:1	1,000	55.7	749	72.2	610	88.7
WG1600	1.0	3300	115/230 230/460	1Ø 3Ø	261:1	1,600	15.1	1,242	19.6	1,011	24.1
WG2400	1.5	3300	115/230 230/460	1Ø 3Ø	261:1	2,400	15.1	1,863	19.6	1,516	24.1
WG3300	2.0	3300	230 230/460	1Ø 3Ø	261:1	3,300	15.1	2,484	19.6	2,021	24.1
WG5000	3.0	3300	230/460	3Ø	261:1	5,000	15.1	3,726	19.6	3,032	24.1
WG3700	1.0	1725	115/230 230/460	1Ø 3Ø	261:1	3,700	7.7	2,815	10.0	2,291	12.2
WG5600	1.5	1725	115/230 230/460	1Ø 3Ø	261:1	5,600	7.7	4,223	10.0	3,436	12.2
WG7500	2.0	1725	230 230/460	1Ø 3Ø	261:1	7,500	7.7	5,630	10.0	4,581	12.2
WG11000	3.0	1725	230/460	3Ø	261:1	11,000	7.7	8,445	10.0	6,872	12.2

Performance based on intermittent duty cycles.

CAUTION: The final determination as to the suitability of this product for any purpose is solely that of the user. Columbia products are not to be used to lift people or to lift anything over people.