

STANDARD FEATURES

- Rated for pulling
- Spring applied, electrically released brakes
- Fully sealed gears and bearings in oil bath designed for continuous duty cycles
- Severe-duty motors
- Motors can be rotated in 90° increments
- NEMA 4X, low-voltage and variable speed controls available
- Simple four bolt base-mount installation

Custom designs are available to meet your exact requirements for any lifting, pulling or positioning application with pneumatic, hydraulic, electric and self-contained power sources.

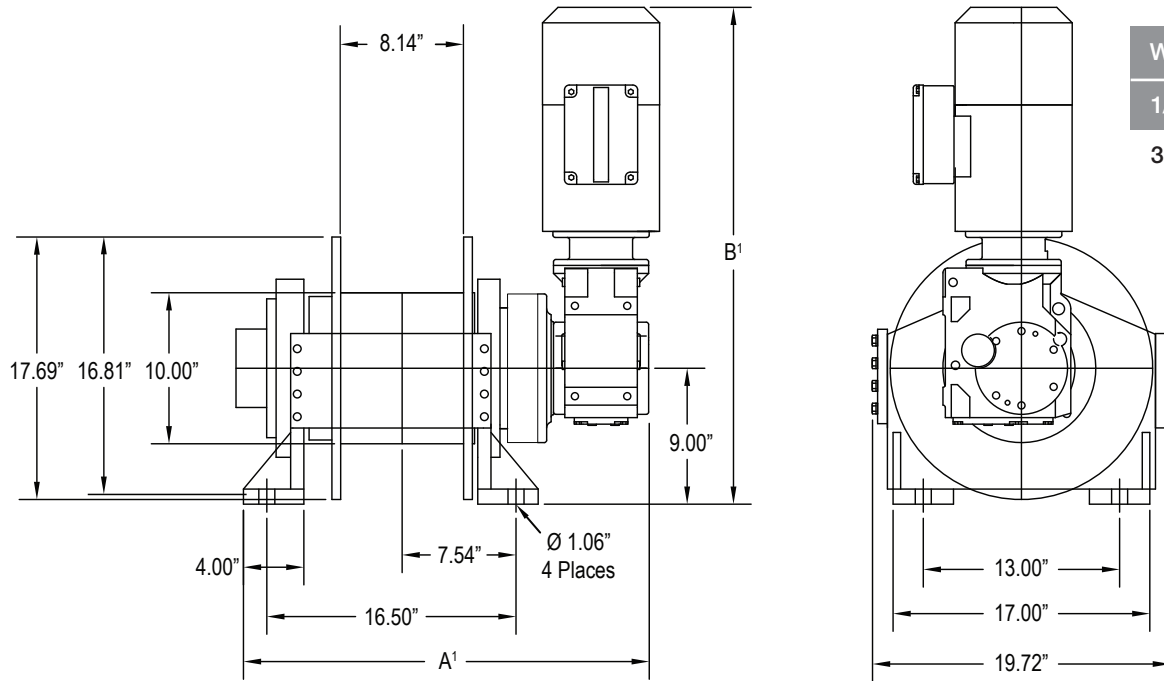
OPTIONS

- Low-voltage controls
- Variable speed controls
- Washdown, marine and explosion-proof ratings
- Lagged, grooved and divided drums
- Cable tensioners
- Strap drum conversions
- AutoAdvance Line Spoolers
- I-Beam trolleys, Hammerhead systems
- Quick-mount brackets
- Wall-mount control stations
- Wire rope, sheaves, snatch blocks and other rigging

CAUTION: The final determination as to the suitability of this product for any purpose is solely that of the user. Columbia products are not to be used to lift people or to lift anything over people.

DIMENSIONAL DATA

All measurements are shown in inches.



Wire Rope Capacity

1/2"	9/16"	5/8"
384	286	222

PERFORMANCE

Model	Motor HP	Typical Weight	Calculated Performance						Dimensions	
			First Layer		Mean Drum		Full Drum		A ¹	B ¹
			LBS	FPM	LBS	FPM	LBS	FPM		
WN7500	3.0	570 LBS	7500	11	6400	14	5500	16	28.4"	31.5"
WN7500	5.0	570 LBS	7500	19	6000	26	5200	30	28.4"	31.5"
WN10000	3.0	570 LBS	10000	8	8300	11	7200	13	28.4"	31.5"
WN10000	5.0	598 LBS	10000	13	8700	17	7500	21	28.9"	32.0"
WN15000	3.0	570 LBS	15000	6	11900	7	10300	9	28.4"	31.5"
WN15000	5.0	598 LBS	15000	10	11600	13	10000	15	28.1"	32.0"
WN15000	7.5	629 LBS	15000	16	11000	21	9500	24	29.3"	35.1"
WN20000	3.0	578 LBS	20000	5	14700	6	12700	7	28.6"	31.8"
WN20000	5.0	598 LBS	20000	9	14500	11	12500	13	28.6"	31.8"
WN20000	7.5	629 LBS	20000	12	14600	15	12600	18	29.3"	35.1"
WN20000	10.0	730 LBS	20000	16	14500	21	12700	25	32.0"	37.6"

¹ Max dimension shown.

Performance based on 230/460 3Ø 60 Hz input power; other voltages available.

CAUTION: The final determination as to the suitability of this product for any purpose is solely that of the user. Columbia products are not to be used to lift people or to lift anything over people.

Distributed by:

ALLIED POWER PRODUCTS, INC.

THE WINCH & HOIST SPECIALISTS

6590 SW FALLBROOK PLACE, BEAVERTON, OR 97008
(503) 626-0654 FAX (503) 646-1996