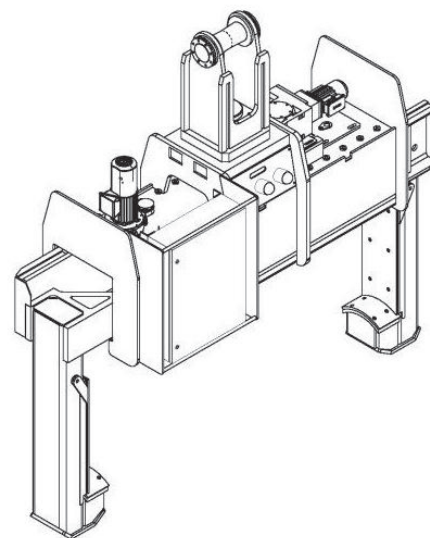
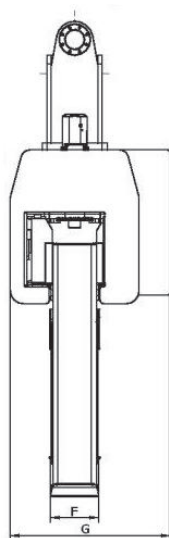
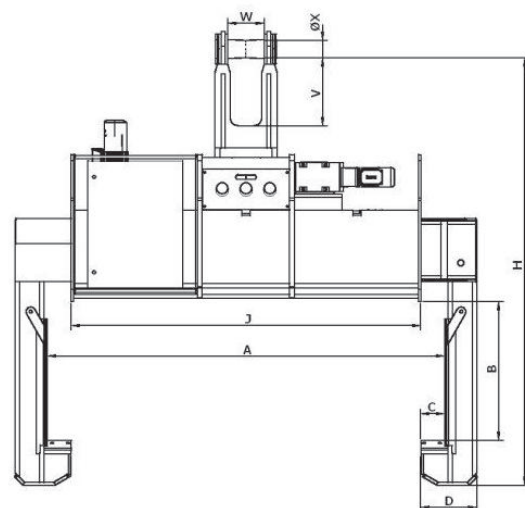


Telescopic Gripper for Coils Series APT

For cylindric hollow bodies



airpes®



General information

Coil-carrying gripper with mechanic functioning through a motor reducer, specific for the transport of coils, cylinders, rolls and different round bodies, designed to be used in reduced heights under crane in order to be able to pile up in limited spaces, including between rows, always with the highest security for the people and the highest care for the material that has to be manipulated.

Optional:

Motorized rotation

Weighing system with high precision

Adaptation to suspension DIN 15402

Protections for delicate materials

Retractable fork hooks for use between very reduced rows.

Telescopic Gripper for Coils Series APT

For cylindric hollow bodies



airpes®



Characteristic:

Reference	Cap. (t)	A min.	A máx.	B	C	D	E	F	G	H*,**	J	V	W	X	Approx. W (Kg)
APT.0.0.0-10	10	600	1800	800	120	270	200	190	750	1950/1450	1600	175	120	80	1200
APT.0.0.0-12	12	600	1800	800	120	270	200	190	750	1950/1450	1600	175	120	80	1200
APT.0.0.0-16	16	600	1800	800	120	270	200	190	750	1950/1450	1600	200	160	80	1200
APT.0.0.0-20	20	600	1800	800	120	300	200	220	850	2100/1650	1600	200	160	100	1700
APT.0.0.0-25	25	600	2000	800	120	300	200	220	850	2100/1650	1600	200	160	100	1700
APT.0.0.0-30	30	600	2000	850	165	345	285	220	850	2100/1650	1800	250	200	110	2200
APT.0.0.0-32	32	600	2000	850	165	345	285	300	975	2100/1650	1800	250	200	110	2200
APT.0.0.0-35	35	600	2200	850	165	345	285	300	975	2450/1950	2000	250	200	110	2400
APT.0.0.0-40	40	600	2200	850	165	345	285	300	975	2450/1950	2000	300	220	120	2400

* Indication with/without motorized rotation

** Indication with/without weighing indicator