

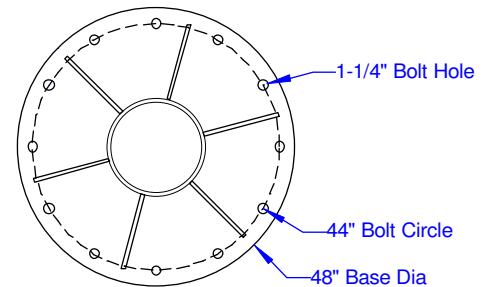
FH-Series Heavy Duty Foundationless Jib 1/2 Ton Capacity 10 to 14 HUB

Capacity (Pounds)	Model	Hub	Span	Beam Height	Flange Width	Base Diameter	Unit Weight
1,000	FH1108	10'	8'	8"	5 1/4"	48"	1,083#
1,000	FH11010	10'	10'	8"	5 1/4"	48"	1,125#
1,000	FH11012	10'	12'	8"	5 1/4"	48"	1,167#
1,000	FH11014	10'	14'	8"	5 1/4"	48"	1,272#
1,000	FH11016	10'	16'	12"	6 1/2"	48"	1,759#
1,000	FH11018	10'	18'	12"	6 1/2"	48"	1,819#
1,000	FH11020	10'	20'	12"	6 1/2"	48"	2,114#
1,000	FH1128	12'	8'	8"	5 1/4"	48"	1,139#
1,000	FH11210	12'	10'	8"	5 1/4"	48"	1,181#
1,000	FH11212	12'	12'	8"	5 1/4"	48"	1,223#
1,000	FH11214	12'	14'	8"	5 1/4"	48"	1,328#
1,000	FH11216	12'	16'	12"	6 1/2"	48"	1,858#
1,000	FH11218	12'	18'	12"	6 1/2"	48"	1,918#
1,000	FH11220	12'	20'	12"	6 1/2"	48"	2,223#
1,000	FH1148	14'	8'	8"	5 1/4"	48"	1,195#
1,000	FH11410	14'	10'	8"	5 1/4"	48"	1,237#
1,000	FH11412	14'	12'	8"	5 1/4"	48"	1,279#
1,000	FH11414	14'	14'	8"	5 1/4"	48"	1,701#
1,000	FH11416	14'	16'	12"	6 1/2"	48"	1,957#
1,000	FH11418	14'	18'	12"	6 1/2"	48"	2,017#
1,000	FH11420	14'	20'	12"	6 1/2"	48"	2,332#

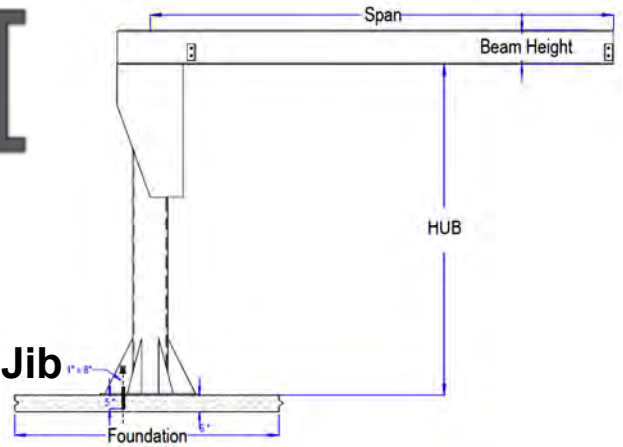
Contact sales for modifications of the above cranes.

NOTE:

- Existing concrete must be a minimum of 6" thick reinforced with a minimum 3,000 psi (5 bag mix), soil pressure must support 2,500 psi.
- Foundation size (see chart below) around base plate must be free of cracks, seams, joints, walls, delamination and must appear in good condition. Jib crane must be centered in required area.
- All units have 48" diameter base and 44" bolt circle with 12 holes 1-1/4" diameter for 1" anchor bolts.
- All foundations should be checked by a structural engineer.



Span	Foundation Size (sq. ft)
15' or less	10' x 10'
16' to 20'	11' x 11'



FH-Series Heavy Duty Foundationless Jib 1 Ton Capacity 10 to 14 HUB

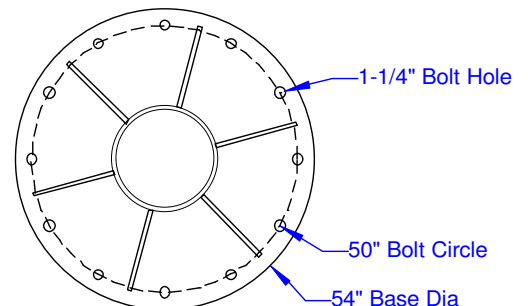
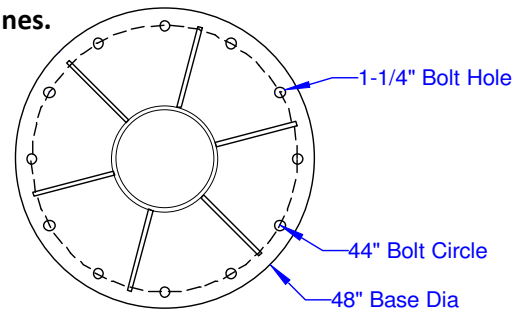
Capacity (Pounds)	Model	Hub	Span	Beam Height	Flange Width	Base Diameter	Unit Weight
2,000	FH2108	10'	8'	8"	5 1/4"	48"	1,109#
2,000	FH21010	10'	10'	8"	5 1/4"	48"	1,151#
2,000	FH21012	10'	12'	12"	6 1/2"	48"	1,623#
2,000	FH21014	10'	14'	12"	6 1/2"	48"	1,685#
2,000	FH21016	10'	16'	12"	6 1/2"	54"	2,010#
2,000	FH2128	12'	8'	8"	5 1/4"	48"	1,166#
2,000	FH21210	12'	10'	8"	5 1/4"	48"	1,208#
2,000	FH21212	12'	12'	12"	6 1/2"	48"	1,724#
2,000	FH21214	12'	14'	12"	6 1/2"	48"	1,862#
2,000	FH21216	12'	16'	12"	6 1/2"	54"	2,119#
2,000	FH2148	14'	8'	8"	5 1/4"	48"	1,609#
2,000	FH21410	14'	10'	8"	5 1/4"	48"	1,651#
2,000	FH21412	14'	12'	12"	6 1/2"	48"	1,821#
2,000	FH21414	14'	14'	12"	6 1/2"	48"	1,971#
2,000	FH21416	14'	16'	12"	6 1/2"	54"	2,228#

Contact sales for modifications of the above cranes.

NOTE:

- Existing concrete must be a minimum of 6" thick reinforced with a minimum 3,000 psi (5 bag mix), soil pressure must support 2,500 psi.
- Foundation size (see chart below) around base plate must be free of cracks, seams, joints, walls, delamination and must appear in good condition. Jib crane must be centered in required area.
- All units have 48" or 54" diameter base and 44" or 50" bolt circle with 12 holes 1-1/4" diameter for 1" anchor bolts.
- All foundations should be checked by a structural engineer.

Span	Foundation Size (sq. ft)
10' or less	10' x 10'
11' to 12'	11' x 11'
14' to 16'	12' x 12'





Jib Crane Accessories for Foundationless Series Units (FL-Series & FH-Series)

Epoxy Anchor Bolt Kits

AB-FL25	Anchor Bolt Kit—6 hole—250 lbs. Cap FL-Series
AB-FL5	Anchor Bolt Kit—8 hole—500 lbs. Cap FL-Series
AB-FL1	Anchor Bolt Kit—12 Hole—1,000 lbs. Cap FL-Series
AB-FH1	Anchor Bolt Kit—12 Hole—FH1-Series
AB-FH2	Anchor Bolt Kit—12 Hole—FH2 Series
ALC-AP	Applicator gun for epoxy

Bolt Pattern Template

26D6	26" Plywood Template—250 lbs. Cap FL-Series
28D8	28" Plywood Template—500 lbs. Cap FL-Series
30D12	30" Plywood Template—1,000 lbs. Cap FL-Series
36D12	36" Plywood Template—1,000 lbs. Cap FL-Series
48D12	48" Plywood Template—1,000 & 2,000 lbs. Cap FH-Series
54D12	54" Plywood Template—2,000 lbs. Cap—FH-Series

Rotation Stops

RS	Field Mounted—Weld-On
RS-B	Field Mounted—Bolt-On (field drill & tap column locations)
FLRS-C	Adjustable Collar Style (2) collars rotate to desired locations

Festooning

TG	Tagline Kit with S-Hooks
WSTG	Workstation Tagline Kit with S-Hooks
CT	Steel Cable Trolley— add to TG (1 per every 5 ft. of span)
ALC-HT-2	Plastic 2-wheel trolley - Cable / Hose .95 to 1.25 OD
ALC-FWT-2	Plastic 2-wheel trolley—4-wire Flat Wire Cable



CT



ALC-HT-2



ALC-FWT-2

Collector Rings

TEC	Top Entry Collector Ring and Mounting Plate
-----	---