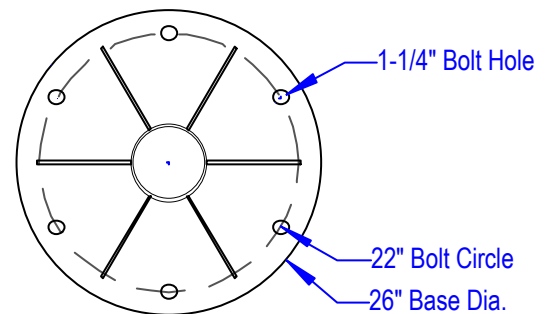


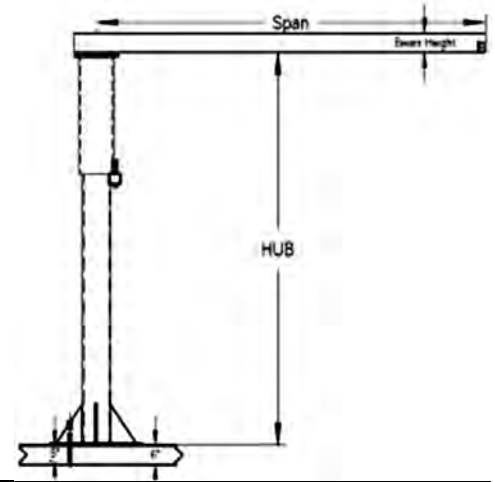
FL-Series Foundationless Floor Mounted Jib Crane 1/8 Ton Capacity

| Capacity (Pounds) | Model | Hub | Span | Beam Height | Flange Width | Base Diameter | Unit Weight | |
|-------------------|----------|-----|------|-------------|--------------|---------------|-------------|--|
| 250 | FL2586 | 8' | 6' | 6" | 4" | 26" | 478# | |
| 250 | FL2588 | 8' | 8' | 6" | 4" | 26" | 510# | |
| 250 | FL25810 | 8' | 10' | 6" | 4" | 26" | 542# | |
| 250 | FL25812 | 8' | 12' | 6" | 4" | 26" | 574# | |
| 250 | FL25814 | 8' | 14' | 8" | 5-1/4" | 26" | 776# | |
| 250 | FL25106 | 10' | 6' | 6" | 4" | 26" | 516# | |
| 250 | FL25108 | 10' | 8' | 6" | 4" | 26" | 548# | |
| 250 | FL251010 | 10' | 10' | 6" | 4" | 26" | 580# | |
| 250 | FL251012 | 10' | 12' | 6" | 4" | 26" | 612# | |
| 250 | FL251014 | 10' | 14' | 8" | 5-1/4" | 26" | 820# | |
| 250 | FL25126 | 12' | 6' | 6" | 4" | 26" | 554# | |
| 250 | FL25128 | 12' | 8' | 6" | 4" | 26" | 586# | |
| 250 | FL251210 | 12' | 10' | 6" | 4" | 26" | 618# | |
| 250 | FL251212 | 12' | 12' | 6" | 4" | 26" | 650# | |
| 250 | FL251214 | 12' | 14' | 8" | 5-1/4" | 26" | 865# | |

NOTE:

- Existing concrete must be a minimum of 6" thick reinforced with a minimum 3,000 psi (5 bag mix), soil pressure must support 2,500 psi.
- Concrete in and around the area (6' x 6') of the base plate must be free of cracks and must appear in good condition.
- All units have 26" diameter base and 22" bolt circle 6 holes 1-1/4" diameter.
- All foundations should be checked by a structural engineer.



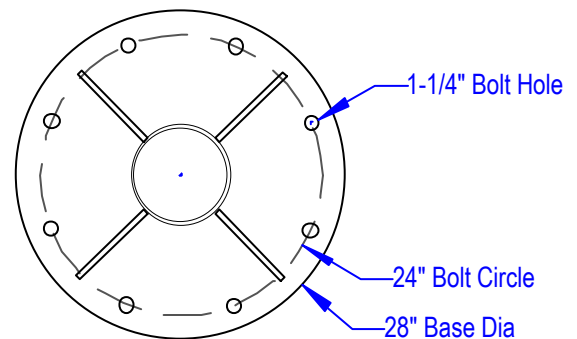


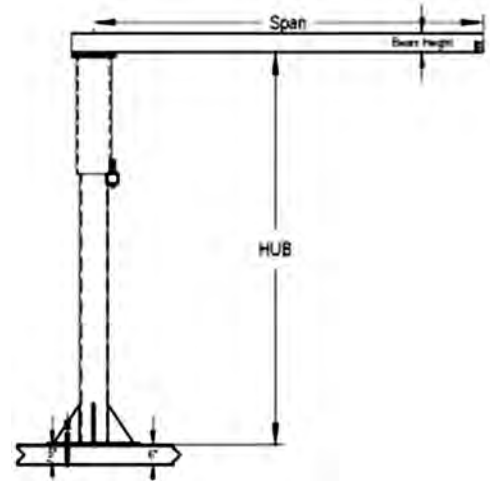
FL-Series Foundationless Floor Mounted Jib Crane 1/4 Ton Capacity

| Capacity (Pounds) | Model | Hub | Span | Beam Height | Flange Width | Base Diameter | Unit Weight | |
|-------------------|---------|-----|------|-------------|--------------|---------------|-------------|--|
| 500 | FL586 | 8' | 6' | 6" | 4" | 28" | 490# | |
| 500 | FL588 | 8' | 8' | 6" | 4" | 28" | 522# | |
| 500 | FL5810 | 8' | 10' | 6" | 4" | 28" | 554# | |
| 500 | FL5812 | 8' | 12' | 6" | 4" | 28" | 681# | |
| 500 | FL5814 | 8' | 14' | 8" | 5-1/4" | 28" | 912# | |
| 500 | FL5106 | 10' | 6' | 6" | 4" | 28" | 528# | |
| 500 | FL5108 | 10' | 8' | 6" | 4" | 28" | 560# | |
| 500 | FL51010 | 10' | 10' | 6" | 4" | 28" | 592# | |
| 500 | FL51012 | 10' | 12' | 6" | 4" | 28" | 725# | |
| 500 | FL51014 | 10' | 14' | 8" | 5-1/4" | 28" | 968# | |
| 500 | FL5126 | 12' | 6' | 6" | 4" | 28" | 566# | |
| 500 | FL5128 | 12' | 8' | 6" | 4" | 28" | 598# | |
| 500 | FL51210 | 12' | 10' | 6" | 4" | 28" | 630# | |
| 500 | FL51212 | 12' | 12' | 6" | 4" | 28" | 770# | |
| 500 | FL51214 | 12' | 14' | 8" | 5-1/4" | 28" | 1,036# | |

NOTE:

- Existing concrete must be a minimum of 6" thick reinforced with a minimum 3,000 psi (5 bag mix), soil pressure must support 2,500 psi.
- Concrete in and around the area (6' x 6') of the base plate must be free of cracks and must appear in good condition.
- All units have 28" diameter base and 24" bolt circle 8 holes 1-1/4" diameter.
- All foundations should be checked by a structural engineer.



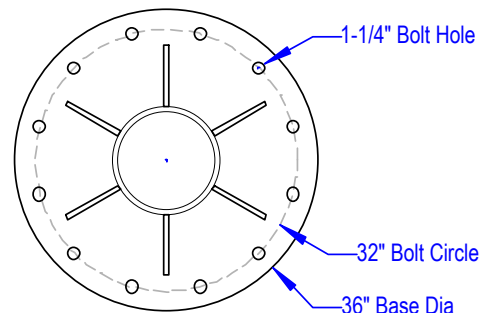
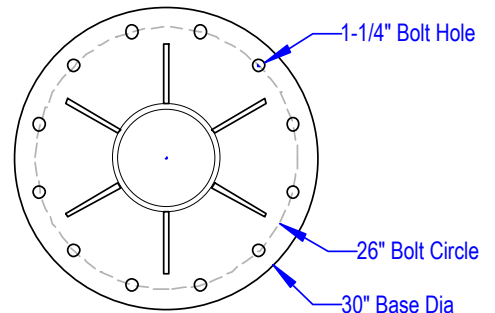


FL-Series Foundationless Floor Mounted Jib Crane 1/2 Ton Capacity

| Capacity (Pounds) | Model | Hub | Span | Beam Height | Flange Width | Base Diameter | Unit Weight | |
|-------------------|---------|-----|------|-------------|--------------|---------------|-------------|--|
| 1000 | FL186 | 8' | 6' | 6" | 4" | 30" | 598# | |
| 1000 | FL188 | 8' | 8' | 6" | 4" | 30" | 630# | |
| 1000 | FL1810 | 8' | 10' | 8" | 5-1/4" | 30" | 827# | |
| 1000 | FL1812 | 8' | 12' | 8" | 5-1/4" | 30" | 911# | |
| 1000 | FL1814 | 8' | 14' | 8" | 5-1/4" | 36" | 1,019# | |
| 1000 | FL1106 | 10' | 6' | 6" | 4" | 30" | 642# | |
| 1000 | FL1108 | 10' | 8' | 6" | 4" | 30" | 674# | |
| 1000 | FL11010 | 10' | 10' | 8" | 5-1/4" | 30" | 884# | |
| 1000 | FL11012 | 10' | 12' | 8" | 5-1/4" | 30" | 968# | |
| 1000 | FL11014 | 10' | 14' | 8" | 5-1/4" | 36" | 1,075# | |
| 1000 | FL1126 | 12' | 6' | 6" | 4" | 30" | 687# | |
| 1000 | FL1128 | 12' | 8' | 6" | 4" | 30" | 719# | |
| 1000 | FL11210 | 12' | 10' | 8" | 5-1/4" | 30" | 940# | |
| 1000 | FL11212 | 12' | 12' | 8" | 5-1/4" | 30" | 1,024# | |
| 1000 | FL11214 | 12' | 14' | 8" | 5-1/4" | 36" | 1,131# | |

NOTE:

- Existing concrete must be a minimum of 6" thick reinforced with a minimum 3,000 psi (5 bag mix), soil pressure must support 2,500 psi.
- Concrete in and around the area (6' x 6') of the base plate must be free of cracks and must appear in good condition.
- Units with 30" diameter base have 26" bolt circle 12 holes 1-1/4" diameter.
- Units with 36" diameter base have 32" bolt circle 12 holes 1-1/4" diameter.
- All foundations should be checked by a structural engineer.





Jib Crane Accessories for Foundationless Series Units (FL-Series & FH-Series)

Epoxy Anchor Bolt Kits

| | |
|---------|--|
| AB-FL25 | Anchor Bolt Kit—6 hole—250 lbs. Cap FL-Series |
| AB-FL5 | Anchor Bolt Kit—8 hole—500 lbs. Cap FL-Series |
| AB-FL1 | Anchor Bolt Kit—12 Hole—1,000 lbs. Cap FL-Series |
| AB-FH1 | Anchor Bolt Kit—12 Hole—FH1-Series |
| AB-FH2 | Anchor Bolt Kit—12 Hole—FH2 Series |
| ALC-AP | Applicator gun for epoxy |

Bolt Pattern Template

| | |
|-------|---|
| 26D6 | 26" Plywood Template—250 lbs. Cap FL-Series |
| 28D8 | 28" Plywood Template—500 lbs. Cap FL-Series |
| 30D12 | 30" Plywood Template—1,000 lbs. Cap FL-Series |
| 36D12 | 36" Plywood Template—1,000 lbs. Cap FL-Series |
| 48D12 | 48" Plywood Template—1,000 & 2,000 lbs. Cap FH-Series |
| 54D12 | 54" Plywood Template—2,000 lbs. Cap—FH-Series |

Rotation Stops

| | |
|--------|---|
| RS | Field Mounted—Weld-On |
| RS-B | Field Mounted—Bolt-On (field drill & tap column locations) |
| FLRS-C | Adjustable Collar Style (2) collars rotate to desired locations |

Festooning

| | |
|-----------|--|
| TG | Tagline Kit with S-Hooks |
| WSTG | Workstation Tagline Kit with S-Hooks |
| CT | Steel Cable Trolley— add to TG (1 per every 5 ft. of span) |
| ALC-HT-2 | Plastic 2-wheel trolley - Cable / Hose .95 to 1.25 OD |
| ALC-FWT-2 | Plastic 2-wheel trolley—4-wire Flat Wire Cable |



CT



ALC-HT-2



ALC-FWT-2

Collector Rings

| | |
|-----|---|
| TEC | Top Entry Collector Ring and Mounting Plate |
|-----|---|