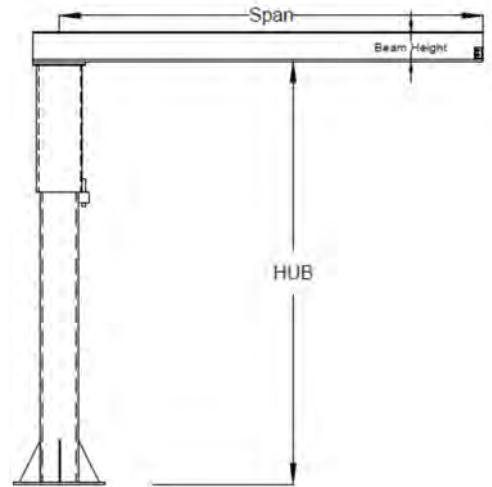




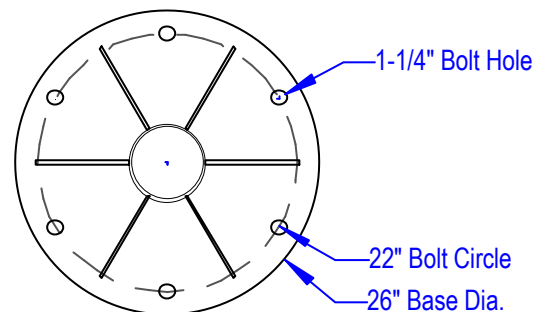
## L-Series Light Duty Floor Mounted Jib Crane 1/4 Ton Capacity



| Capacity (Pounds) | Model   | Hub | Span | Beam Height | Flange Width | Base Diameter | Unit Weight |
|-------------------|---------|-----|------|-------------|--------------|---------------|-------------|
| 500               | L586*   | 8'  | 6'   | 6"          | 4"           | 26"*          | 478#        |
| 500               | L588*   | 8'  | 8'   | 6"          | 4"           | 26"*          | 510#        |
| 500               | L5810*  | 8'  | 10'  | 6"          | 4"           | 26"*          | 542#        |
| 500               | L5812*  | 8'  | 12'  | 6"          | 4"           | 26"*          | 669#        |
| 500               | L5814   | 8'  | 14'  | 8"          | 5-1/4"       | 26"           | 776#        |
| 500               | L5816   | 8'  | 16'  | 8"          | 5-1/4"       | 26"           | 818#        |
| 500               | L5106*  | 10' | 6'   | 6"          | 4"           | 26"*          | 516#        |
| 500               | L5108*  | 10' | 8'   | 6"          | 4"           | 26"*          | 548#        |
| 500               | L51010* | 10' | 10'  | 6"          | 4"           | 26"*          | 580#        |
| 500               | L51012* | 10' | 12'  | 6"          | 4"           | 26"*          | 713#        |
| 500               | L51014  | 10' | 14'  | 8"          | 5-1/4"       | 26"           | 820#        |
| 500               | L51016  | 10' | 16'  | 8"          | 5-1/4"       | 26"           | 862#        |
| 500               | L5126*  | 12' | 6'   | 6"          | 4"           | 26"*          | 544#        |
| 500               | L5128*  | 12' | 8'   | 6"          | 4"           | 26"*          | 586#        |
| 500               | L51210* | 12' | 10'  | 6"          | 4"           | 26"*          | 618#        |
| 500               | L51212* | 12' | 12'  | 6"          | 4"           | 26"*          | 758#        |
| 500               | L51214  | 12' | 14'  | 8"          | 5-1/4"       | 26"           | 865#        |
| 500               | L51216  | 12' | 16'  | 8"          | 5-1/4"       | 26"           | 907#        |

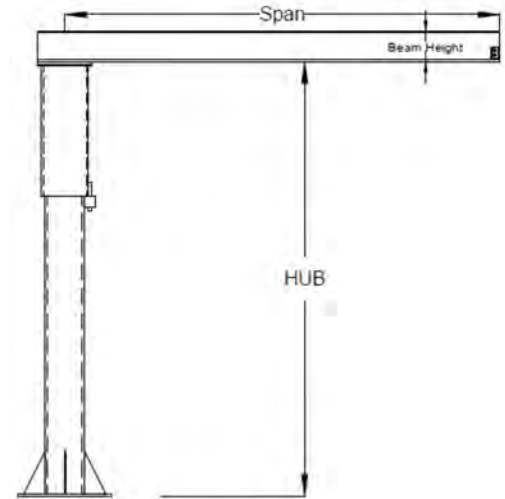
**NOTE:**

- Units with (\*) require 3' deep x 4' square foundations. All others require 3' deep by 5' square concrete foundations with rebar.
- 3,000 psi of compressive force-reinforced rebar 5/8" diameter top and bottom 12" on center
- All units have 26" diameter base and 22" bolt circle 6 holes 1-1/4" diameter.
- All foundations should be checked by a structural engineer.





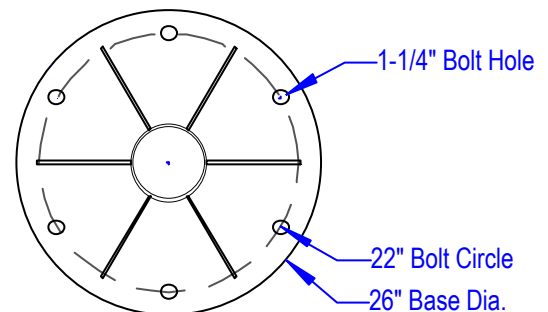
## L-Series Light Duty Floor Mounted Jib Crane 1/2 Ton Capacity



| Capacity (Pounds) | Model   | Hub | Span | Beam Height | Flange Width | Base Diameter | Unit Weight |  |
|-------------------|---------|-----|------|-------------|--------------|---------------|-------------|--|
| 1000              | L186*   | 8'  | 6'   | 6"          | 4"           | 26"*          | 573#        |  |
| 1000              | L188*   | 8'  | 8'   | 6"          | 4"           | 26"*          | 605#        |  |
| 1000              | L1810*  | 8'  | 10'  | 8"          | 5-1/4"       | 26"*          | 728#        |  |
| 1000              | L1812*  | 8'  | 12'  | 8"          | 5-1/4"       | 26"*          | 770#        |  |
| 1000              | L1814   | 8'  | 14'  | 8"          | 5-1/4"       | 26"           | 812#        |  |
| 1000              | L1106*  | 10' | 6'   | 6"          | 4"           | 26"*          | 617#        |  |
| 1000              | L1108*  | 10' | 8'   | 6"          | 4"           | 26"*          | 649#        |  |
| 1000              | L11010* | 10' | 10'  | 8"          | 5-1/4"       | 26"*          | 785#        |  |
| 1000              | L11012* | 10' | 12'  | 8"          | 5-1/4"       | 26"*          | 827#        |  |
| 1000              | L11014  | 10' | 14'  | 8"          | 5-1/4"       | 26"           | 869#        |  |
| 1000              | L1126*  | 12' | 6'   | 6"          | 4"           | 26"*          | 662#        |  |
| 1000              | L1128*  | 12' | 8'   | 6"          | 4"           | 26"*          | 694#        |  |
| 1000              | L11210* | 12' | 10'  | 8"          | 5-1/4"       | 26"*          | 841#        |  |
| 1000              | L11212* | 12' | 12'  | 8"          | 5-1/4"       | 26"*          | 883#        |  |
| 1000              | L11214  | 12' | 14'  | 8"          | 5-1/4"       | 26"           | 981#        |  |

### NOTE:

- Units with (\*) require 3' deep x 4' square foundations. All others require 3' deep by 5' square concrete foundations with rebar.
- 3,000 psi of compressive force-reinforced rebar 5/8" diameter top and bottom 12" on center
- All units have 26" diameter base and 22" bolt circle 6 holes 1-1/4" diameter.
- All foundations should be checked by a structural engineer.





## Jib Crane Accessories for L-Series Units

### Anchor Bolt Kits

- TA1-31-6 J-Bolt 1" Diameter Bolt 31" long**  
-Each bolt includes one washer and two nuts.

### Bolt Pattern Template

- 26D6 Plywood Template**

### Rotation Stops

- RS Field Mounted—Weld-On**  
**RS-B Field Mounted—Bolt-On (field drill & tap column locations)**  
**FL-RS-C Adjustable Collar Style 2 - collars rotate to desired locations**

### Festooning

- TG Tagline Kit with S-Hooks**  
**CT Steel Cable Trolley— add to TG (1 per every 5 ft. of span)**  
**ALC-HT-2 Plastic 2-wheel trolley - Cable / Hose .95 to 1.25 OD**  
**ALC-FWT-2 Plastic 2-wheel trolley—4-wire Flat Wire Cable**



CT



ALC-HT-2



ALC-FWT-2

### Collector Rings

- TEC Top Entry Collector Ring and Mounting Plate**  
- Adds 15 in. to OAH of crane



## Floor Mounted Installation Instructions

1. The crane is shipped in three sections: Boom assembly, head section, and column assembly. A hardware box with the bearing and mounting hardware is included.
2. The foundation shown on the standard product catalog sheets or drawing approval is the only foundation recommended by All Lift Cranes. Alternate foundations are to be determined by a structural engineer.
3. Pour the footing, according to the foundation requirements, with anchor bolts (T-bolts or L-bolts) in place. There should be between 4" to 5" exposed anchor thread above the floor level to allow for one washer and two nuts. Jib crane foundation requirements are based on a soil pressure 2500 lbs. per square foot.  $\frac{3}{4}$ " rebar is located 6" from top and bottom of foundation on 12" centers. Concrete recommended for the foundation is 3000 lbs. per square inch of compressive force. Concrete must cure for 7 days prior to installation. Minimum five bag mix is required.
4. After concrete has cured, make sure surface is level prior to mounting the column. Machinery grout and jam nuts may be used to level the surface. Mount the column to the anchor bolts. Next, bolt the boom to the head section with the mounting hardware provided and install upper roller bearing on column pivot pin and grease bearing prior to install. Set the boom and head section on the column.
5. Install end stops on the boom.
6. Adjust the lower roller cage nuts for final leveling.
7. **Small L series units** are adjusted by shimming between the upper pipe plate and the beam plate.