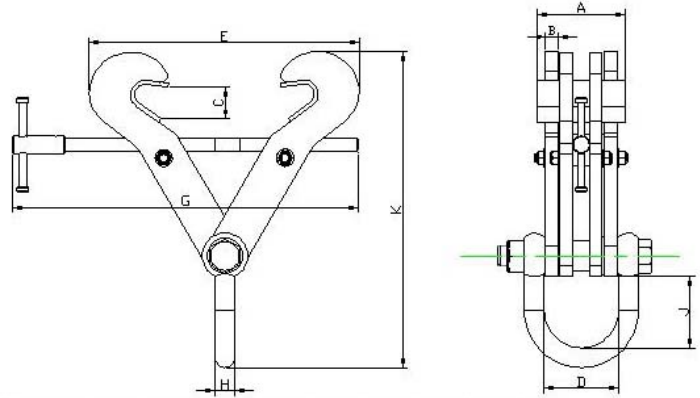


JUMBO BEAM CLAMP



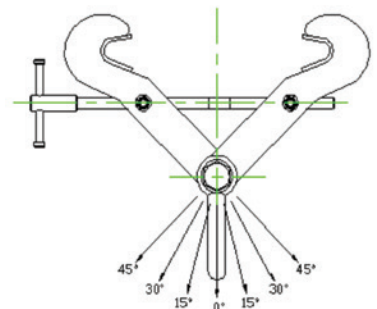
The Jumbo Beam Clamp is a great option for rigging applications. This clamp line features a wide jaw opening for wide flange beams used throughout industry. The JBC's clamp screw assembly is also zinc plated. This clamp series features metric capacities that range from 3, 5, 6, 10 and 16 tons.

SPECIFICATIONS & DIMENSIONS - JUMBO BEAM CLAMP

Type	S.W.L. (lbs.)	S.W.L. US Ton	Beam Width (inch)	Dimensions (inch)									Jaw Type	Weight (lbs)
				A	B	C	D	E max	G	H	J	K min		
JBC-3A	6600	3.3	3.00-7.48	5.12	0.55	1.06	4.21	10.71	10.87	0.79	3.35	10.00	Fixed	18
JBC-5A	11000	5.5	6.00-12.00	5.50	0.55	1.81	4.80	17.72	16.10	0.98	3.90	12.56	Fixed	33
JBC-5B	11000	5.5	3.00-7.48	5.50	0.55	1.81	4.80	13.39	13.35	0.98	3.90	12.99	Fixed	22
JBC-6	13200	6.6	8.00-18.00	6.60	0.55	2.17	4.57	23.62	22.01	0.98	3.90	16.46	Fixed	42
JBC-10	22000	11	8.00-18.00	5.51	0.79	2.17	4.69	23.62	22.01	1.26	3.90	16.46	Fixed	62
JBC-16A	35000	17.6	16.00-24.00	6.89	0.79	3.00	5.12	24.02	31.89	1.77	7.87	25.75	Fixed	135
JBC-16B	35000	17.6	8.00-18.00	6.89	0.79	3.00	5.12	17.99	25.98	1.77	7.87	22.60	Fixed	119

SIDE LOAD ACROSS BEAM ONLY - CLAMP MUST BE FLUSH ON BEAM WITH SHACKLE AT A ZERO DEGREE DOWNWARD FACING ANGLE

Chart only applies to overhead beam attachment. If clamps are being used to lift beams, this information is not applicable. Table applies to the listed models only. Stress calculations should be performed by the end user's engineering dep.	Reduction in working load limit when side loads are applied				
	Angle from vertical (degree)	0	0 to 15	15 to 30	30 to 45
	Reduction Factor	NIL	17.00%	34.00%	50.00%
	Model	WLL	WLL	WLL	WLL
	JBC-3A	3 ton	2.5 ton	2 ton	1.5 ton
	JBC-5A	5 ton	4.1 ton	3.3 ton	2.5 ton
	JBC-6	6 ton	5 ton	4 ton	3 ton
	JBC-10	10 ton	8.3 ton	6.6 ton	5 ton
	JBC-16B JBC-16A	16 ton	13.2 ton	10.5 ton	8 ton



* Warning: Clamps must be installed properly and fully tightened
 * Always contact the manufacturer when in doubt

