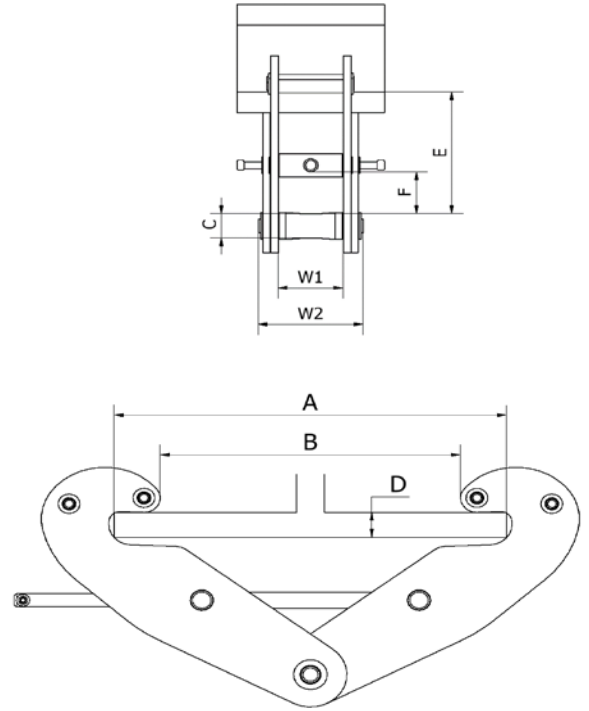




# GRIPPA GIRDER CLAMPS



## SPECIFICATIONS & DIMENSIONS - GRIPPA GIRDER CLAMP PREMIUM INDUSTRIAL OPTION

MODEL	S.W.L. (kg)	S.W.L. (lbs)	APERTURE (in.)		WIDTH (in.)		"C" (in.)	"D", Beam Thickness (in)	"E" (in)	"F" (in)	WEIGHT (lbs)
			"A"	"B" MAX	W1	W2					
GS-2	2000	4400	2.9-9.8	9.8	2.5	3.9	0.87	0.91	4.02-5.56	1.20-2.38	10
GS-3	3000	6600	3.3-11.8	11.8	2.8	4.7	1	1.40	4.99-6.81	1.62-3.03	17.5
GS-5	5000	11000	4.7-16.9	16.9	3.3	5.6	1.3	2.30	7.24-9.79	2.63-4.62	36
GS-10	10000	22000	7.8-17.7	17.7	4.1	7.3	1.8	2.70	8.17-10.57	2.59-4.31	73
GS-20	20000	44000	7.8-18.9	18.9	4.7	9.3	2.4	3.09	9.16-11.42	3.40-5.24	141
GS-32	32000	70500	9.0-30.0	30	9	14.4	3.4	3.1	13.4-17.77	6.13-10.4	313
GS-32-36 inch	32000	70500	9.0-36.0	36.3	9	14.4	3.4	3.1	15.6-21.3	6.00-9.00	341

## SPECS & DIMS. GRIPPA GIRDER CLAMP - CORROSION RESISTANT, SPARK RESISTANT, 100% STAINLESS STEEL CONSTRUCTION

MODEL	S.W.L. (kg)	S.W.L. (lbs)	APERTURE (in.)		WIDTH (in.)		"C" (in.)	Max Beam Thickness (in)	"E" (in)	"F" (in)	WEIGHT (lbs)
			"A"	"B" MAX	W1	W2					
GS-2-SS	2000	4400	2.9-9.8	9.8	2.5	3.9	0.87	0.7	4.02-5.56	1.20-2.38	10
GS-3-SS	3000	6600	3.3-11.8	11.8	2.8	4.7	1	0.9	4.99-6.81	1.62-3.03	17.5
GS-5-SS	5000	11000	4.7-16.10	16.9	3.4	5.6	1.4	1.2	7.12-9.75	2.47-4.53	37

