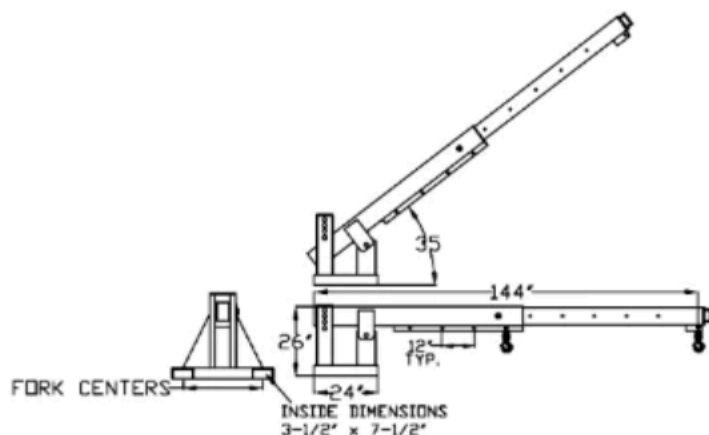




TLJP-Series Telescoping Pivoting Jib Lift
Attachment 2 Ton – 4 Ton Capacity

Capacity (Pounds)	Model	Fork Pocket Centers	Fork Pocket Size	Overall Height	Weight
4,000	TLJP413	13"	3 1/2" x 7 1/2"	26"	555#
4,000	TLJP430	30"	3 1/2" x 7 1/2"	26"	610#
6,000	TLJP613	13"	3 1/2" x 7 1/2"	26"	660#
6,000	TLJP630	30"	3 1/2" x 7 1/2"	26"	690#
8,000	TLJP814	14"	3 1/2" x 7 1/2"	26"	875#
8,000	TLJP830	30"	3 1/2" x 7 1/2"	26"	950#



Hook Position	Capacity on a Single Hook		
	2 Ton	3 Ton	4 Ton
36" & 48"	4,000#	6,000#	8,000#
60"	3,600#	5,600#	7,400#
72"	3,300#	5,300#	6,900#
84"	2,900#	4,900#	6,400#
96"	2,400#	4,100#	5,400#
108"	2,000#	3,500#	4,400#
120"	1,800#	2,900#	3,900#
132"	1,600#	2,600#	3,500#
144"	1,500#	2,400#	3,000#

Each Unit Includes:
2 Swivel Hooks
2 Shackles
1 Safety Chain

Telescoping Pivoting Fork Truck Boom Features:
Pivoting from 0 to 35 degrees. This type of fork truck attachment is designed to efficiently lift and carry loads with a telescoping boom. The quick release spring loaded locking pin allows for multiple hook positions. Consult with us for modified units