

# RAZE

## RZMSP ELECTRIC HOIST



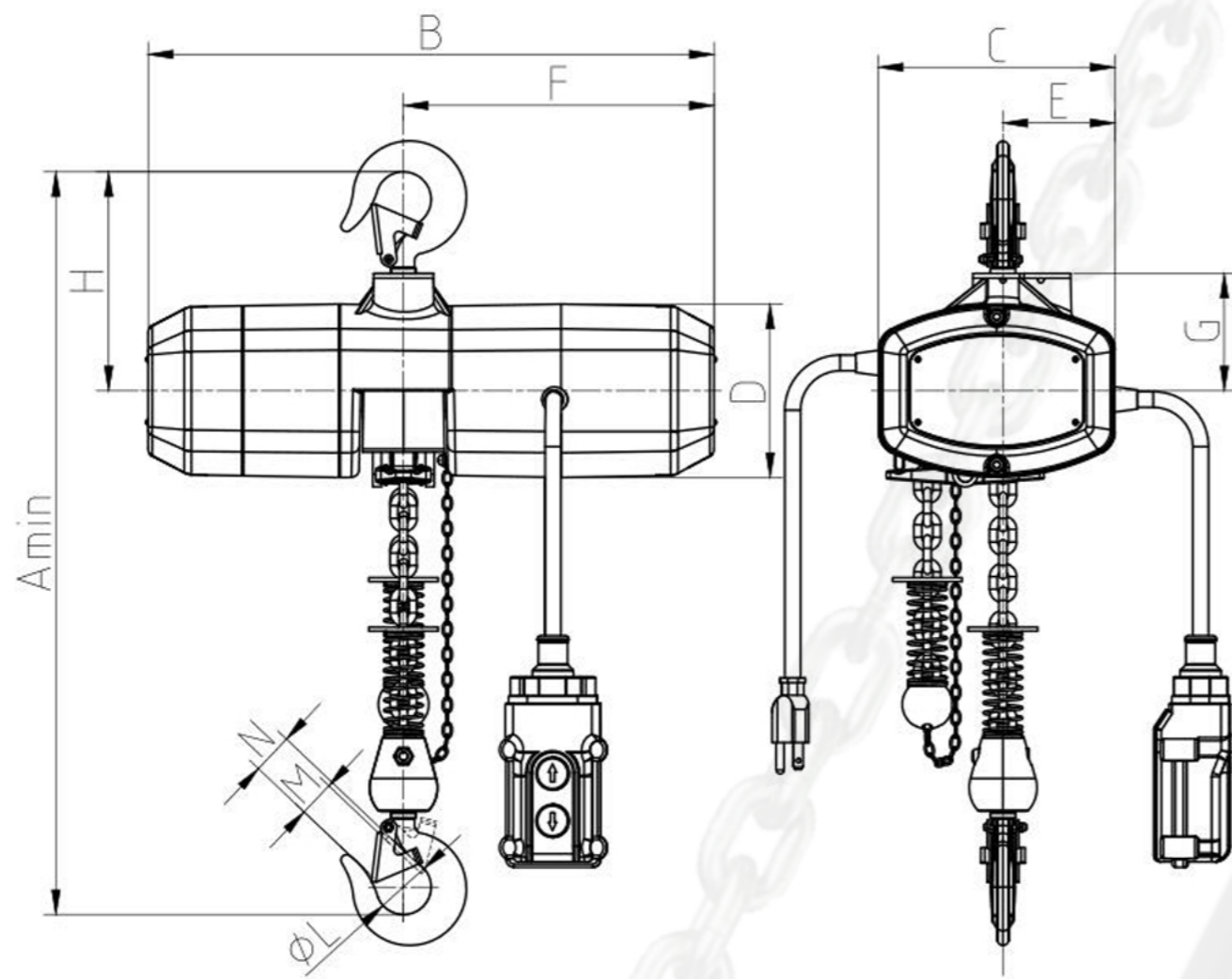
# RZMSP

## ELECTRIC HOIST

### Product Introduction

#### Standard Features Include:

- Single Speed
- Lightweight aluminum alloy body with compact design
- Upper and lower limit switches for safe lifting and lowering
- Electro-magnetic disc brakes provide smooth breaking with little noise



\*\*Custom Lifts Available\*\*

MODEL	CAPACITY (LB)	LIFT (FT)	CHAIN FALLS	SPEED (FPM)	HP	WEIGHT (LBS)
RZMSP	250	10	1	16	0.67	88
RZMSP	500	10	1	16	0.67	88
RZMSP	1000	10	1	16	0.67	88

MODEL	DIMENSIONS (IN)										
	A	B	C	D	E	F	G	H	L	M	N
RZMSP	17.91"	18.58"	9.02"	6.50"	4.88"	9.25"	3.62"	6.61"	1.57"	1.06"	1.18"