

# Pallet Lifters

## Model 90 - Standard Fixed Forks Pallet Lifter



**QUICKSHIP PROGRAM**

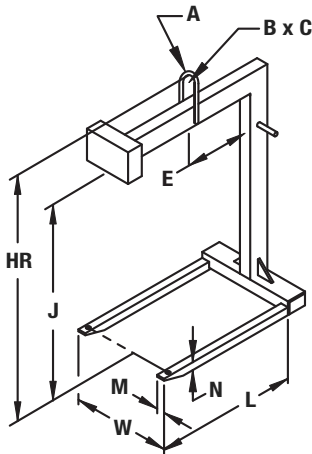
### PRODUCT FEATURES:

- Converts overhead crane to lift truck.
- Counter balanced to hang level when empty.
- Maintenance free.
- Allows for ease of loading/unloading in not easily accessible areas.
- Complies with ASME standards.

### SPECIFICATIONS

Model Number	Capacity (tons)	Dimensions (inches)										Weight (lbs.)
		Forks			W	E	Bail			J*	HR	
		L	M	N			A	B	C			
90-1-36	1	36	2	2	25	18	1	6	5	48	57-1/2	292
90-1-42	1	42	2	2	25	21	1	6	5	48	57-1/2	310
90-1-48	1	48	2	2	25	24	1	6	5	48	58-1/2	371
90-1 1/2-36	1-1/2	36	3	2	25	18	1	6	5	48	58-1/2	388
90-1 1/2-42	1-1/2	42	3	2	25	21	1	6	5	48	58-1/2	432
90-1 1/2-48	1-1/2	48	3	2	25	24	1	6	5	48	58-1/2	459
90-2-36	2	36	3	2	25	18	1	6	5	48	59-1/2	448
90-2-42	2	42	4	2	25	21	1	6	5	48	59-1/2	536
90-2-48	2	48	4	2	25	24	1	6	5	48	59-1/2	627
90-3-42	3	42	4-1/2	2-1/2	25	21	1-1/2	6-1/8	7	48	61-1/2	766
90-3-48	3	48	4-1/2	2-1/2	27	24	1-1/2	6-1/8	7	48	61-1/2	823
90-3-54	3	54	4-1/2	2-1/2	30	27	1-1/2	6-1/8	7	48	61-1/2	969
90-4-48	4	48	5	3	27	24	1-1/2	6-1/8	7	48	63-1/2	1176
90-4-60	4	60	5	3	30	30	1-1/2	6-1/8	7	60	75-1/2	1393
90-5-48	5	48	5	3	30	24	1-1/2	6-1/8	7	48	63-1/2	1193
90-5-60	5	60	4-1/2	2-1/2	38	30	1-1/2	8-1/8	7	60	75-1/2	1403

\* Additional 3" - 4" clearance recommended above load for ease of loading and unloading the lifter.



## Model 95 - Heavy Duty Fixed Forks Pallet Lifter



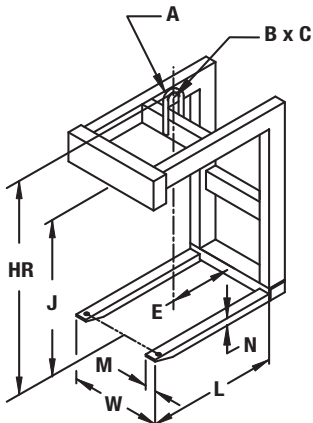
### PRODUCT FEATURES:

- Double frame design for heavy capacities.
- Counter balanced to hang level when empty.
- Maintenance free.
- Complies with ASME standards.

### SPECIFICATIONS

Model Number	Capacity (tons)	Dimensions (inches)										Weight (lbs.)
		Forks			W	E	Bail			J*	HR	
		L	M	N			A	B	C			
95-7 1/2-48	7-1/2	48	6	2-1/2	30	24	2	5	9	48	65	1910
95-7 1/2-60	7-1/2	60	10	3	38	30	2	5	9	60	79	2400
95-10-48	10	48	10	3	30	24	2	5	9	48	69	1950
95-10-60	10	60	10	3	38	30	2	5	9	60	81	3100
95-15-48	15	48	10	3	38	24	2	6	12	60	84	2250
95-15-60	15	60	10	3	38	30	2	6	12	60	75	3800
95-20-60	20	60	7	4	38	30	2-1/4	6	12	60	88	4300
95-20-72	20	72	8-1/4	4	44	36	2-1/4	6	12	60	88	4850

\* Additional 3" - 4" clearance recommended above load for ease of loading and unloading the lifter.



**WARNING**  
 Center of hoist and bail must be in-line with the load's center of gravity.