

HARRINGTON[®]

HOISTS AND CRANES



 Hazardous Location
Electric Chain Hoists

Kito Crosby is the global leader of the lifting and securement industry it pioneered, and for which it continues to set the quality standard. With global engineering, manufacturing, distribution, and operations, the company provides a broad range of products and solutions for the most demanding applications. Kito Crosby’s people, products, solutions, and services have innovated the lifting and securement industry for more than 250 years. Together we lift and secure the world today, for a safer, stronger, and more productive tomorrow. Our iconic brands include Kito, Crosby, Harrington, Gunnebo Industries, and Peerless.

The Harrington brand within the Kito Crosby global network is recognized as a market leader in the hoist and crane industry, with a wide variety of innovative lifting solutions for many industrial applications. The Harrington brand was born in 1867 when Edwin Harrington, a machinist and inventor, started a machine shop and hoist business in Philadelphia, PA. The company thrived as a result of his innovative ideas and continual improvements to the design and production of hoists.

Over the years, the Harrington brand has remained synonymous with top-quality products and exceptional service. We are proud to continue this tradition today, offering our customers products they can trust and the service they deserve.

2

Table of Contents

RNER2 (CII/D2) Hazardous Location Electric Chain Hoists With Hook Suspension	
Standard Specifications and Dimensions	4-5
RNER2M (CII/D2) Hazardous Location Electric Chain Hoists With Motorized Trolleys	
Standard Specifications and Dimension	6
RNER2P/G (CII/D2) Hazardous Location Electric Chain Hoists With Push or Geared Trolleys	
Standard Specifications and Dimensions	7-8
RNER2B (CI/D1 and CII/D1) and RNER2D (CI/D2) Hazardous Location Electric Chain Hoists With Hook Suspension	
Standard Specifications and Dimensions	9-10
RNER2BM (CI/D1 and CII/D1) and RNER2DM (CI/D2) Hazardous Location Electric Chain Hoists With Motorized Trolleys	
Standard Specifications and Dimensions	11
RNER2BG (CI/D1 and CII/D1) and RNER2DG (CI/D2) Hazardous Location Electric Chain Hoists With Geared Trolleys	
Standard Specifications and Dimensions	12
Options and Technical Data	13-14
Product Code	15
Hazardous Location Information	16
Complete Product Offering	18
Warranty	19

RNER2 (CII/D2) Hazardous Location Electric Chain Hoists



RNER2020L

Our RNER2 Series three phase hazardous location electric chain hoists are designed for use in Class II Division 2 locations where fire or explosion hazards may exist due to combustible dust.

Hazardous Specifications (Hazloc)

Hazardous area*
Class II / Division 2

Protected Dust Group*
F (Coal)
G (Grain)

Temperature Class
T4 (135°C)

Features and Benefits

UL® Listed**
Certified and listed to applicable UL standards.

Long Life Friction Clutch
Protects hoist from damage and prevents overwinding.

**“The Guardian”:
Smart Brake Technology**
A current driven electromagnetic brake does not release unless the motor is energized. **10 year hoist brake warranty.**

Upper/Lower Limit Switch
Overwinding/overlifting device
- Standard

Corrosion Resistant Load Chain
Nickel-plated, Grade 80, DIN chain for superb durability and strength.

High Air Flow
Cooler motor and brake attributed to an engineered motor fin, fan blade and fan cover design.

Standard Hoist Specifications

Capacity Range
1 Ton – 5 Ton

Voltages
208-230V-3-60
440-460V-3-60

Control
Single Speed Contactor

Control Voltage
AC110V

Duty Cycle
Hoist - 60 Min.
Trolley - 30 Min.

Classification
ASME H4
ISO M5 or M4
FEM 2m or 1Am

Ratings
Hoist – IP55
Pendant – IP65

Standard Lift
10' (longer lifts available)

Standard Power Supply Length
15' (longer lengths available)

Power Supply and Control
Direct wired

Mounting
Hook, lug or trolley

Chain Containers
Optional
Canvas, plastic or steel

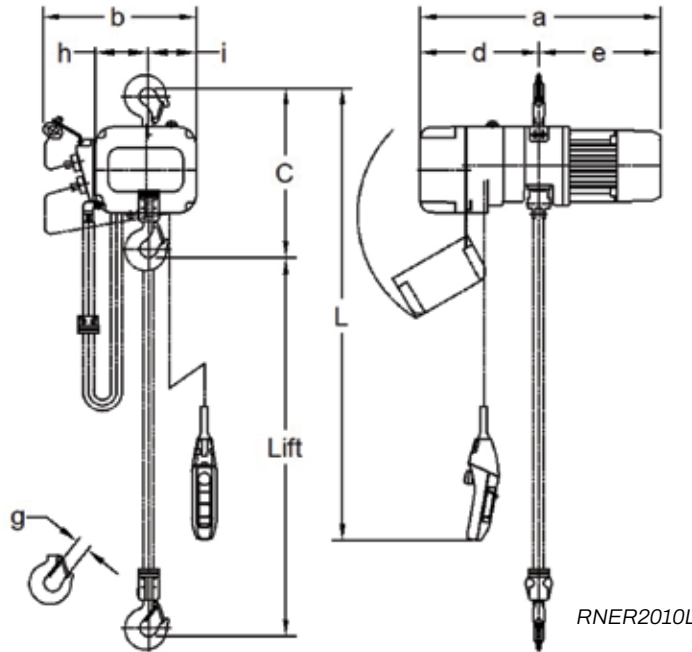
* Refer to page 16 for Class, Division, and Group details.

** Refer to page 14 for all Hazardous Location Conformance information.

RNER2 (CII/D2) Hazardous Location Electric Chain Hoists with Hook Suspension



RNER2020L



RNER2010L

SINGLE SPEED — SPECIFICATIONS

Cap. (Tons)	Product Code	Standard Lift (ft)	Pendant Drop L (ft)	Lifting Speed (ft/min)	Lifting Motor 3 Phase 60 Hz			Load Chain Diameter (mm) x Chain Fall Lines	Net Weight (lbs)	Weight for Additional One Foot of Lift (lbs)
					Output (Hp)	Rated Current (amps)				
						@208 - 230V	@460V			
1	RNER2010L	10	8.2	14	1.2	4.8	2.5	7.7 x 1	104	0.89
1	RNER2010S			28	2.4	8.6	4.2	7.7 x 1	119	0.89
1 1/2	RNER2015S			18	2.4	8.6	4.2	10.2 x 1	159	1.6
2	RNER2020L			14	2.4	8.6	4.2	10.2 x 1	161	1.6
2	RNER2020S			28	4.7	16.4	7.9	10.2 x 1	201	1.6
2 1/2	RNER2025S			22				11.2 x 1	227	1.9
3	RNER2030C		17	10.2 x 2				234	3.2	
5	RNER2050L		9.2	11			11.2 x 2	289	3.8	

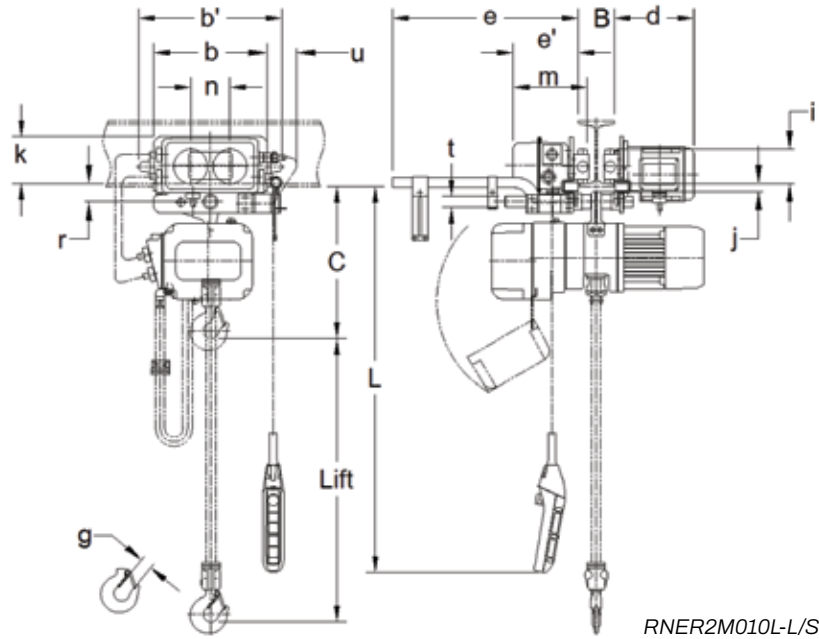
SINGLE SPEED — DIMENSIONS

Cap. (Tons)	Product Code	Headroom C (in)	a (in)	b (in)	d (in)	e (in)	g (in)	h (in)	i (in)
1	RNER2010L	16.9	23.2	14.8	11.4	11.7	1.2	5.1	4.6
1	RNER2010S	16.9	23.5	14.8	11.4	12.1	1.2	5.1	4.6
1 1/2	RNER2015S	20.1	25.4	16.8	12.1	13.3	1.3	6.3	5.4
2	RNER2020L	22.6	25.4	16.8	12.1	13.3	1.5	6.3	5.4
2	RNER2020S	23.2	27.6	16.8	13.6	14.0	1.5	6.3	5.4
2 1/2	RNER2025S	24.6	28.9	17.5	13.2	15.7	1.5	6.8	5.6
3	RNER2030C	30.9	27.6	16.8	13.6	14.0	1.7	8.5	3.2
5	RNER2050L	33.5	28.9	17.5	13.2	15.7	1.9	9.1	3.3

RNER2 (CII/D2) Hazardous Location Electric Chain Hoists with Motorized Trolleys



RNER2M020L-L



RNER2M010L-L/S

SINGLE SPEED HOIST WITH SINGLE SPEED TROLLEY — SPECIFICATIONS

Cap. (Tons)	Product Code	Std. Lift (ft)	Push Button Cord L (ft)	Lifting Speed (ft/min)	Traversing Speed (ft/min)	Lifting Motor 3 Phase 60 Hz			Traversing Motor 3 Phase 60 Hz			Flange Width Adjustability B (in)		Minimum Allow. Radius for Curve (in)	Load Chain Diameter (mm) x Chain Fall Lines	Net Weight (lbs)	Weight for Additional One Foot of Lift (lbs)	
						Output (Hp)	@208-230V	@460V	Output (Hp)	@208-230V	@460V	Standard	Optional					
1	RNER2M010L-L/S	10	8.2	14	L = 40 S = 80	1.2	4.8	2.5	0.54	3.2	1.6	2.28-5.00	5.01-6.02	31.5*	7.7 x 1	170	0.89	
1	RNER2M010S-L/S			28									6.03-12.00		7.7 x 1			185
1 1/2	RNER2M015S-L/S			18									10.2 x 1		243			1.6
2	RNER2M020L-L/S			14		3.23-6.02	6.03-7.02	31.5**				10.2 x 1	245	1.6				
2	RNER2M020S-L/S			28			7.03-12.00					10.2 x 1	284	1.6				
2 1/2	RNER2M025S-L/S			22			11.2 x 1					333	1.9					
3	RNER2M030C-L/S			17		39.4	10.2 x 2	340				3.2						
5	RNER2M050L-L/S	9.2	11	7.02-7.60 OR 7.61-12.00	70.9		11.2 x 2	443	3.8									

*Flange widths smaller than 4 inches will have a minimum radius of 137.8 inches.

**Flange widths smaller than 5 inches will have a minimum radius of 39.4 inches.

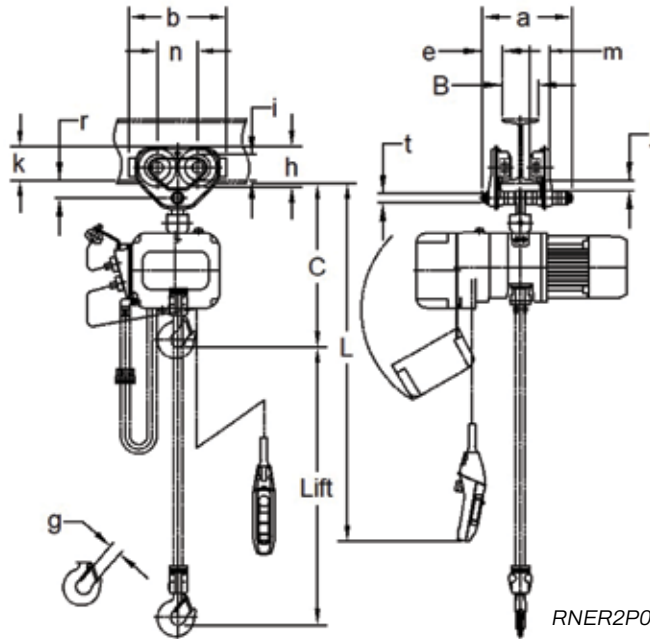
SINGLE SPEED HOIST WITH SINGLE SPEED TROLLEY — DIMENSIONS

Cap. (Tons)	Product Code	Headroom C (in)	b (in)	b' (in)	d (in)	e (in)	e' (in)	g (in)	i (in)	j (in)	k (in)	m (in)	n (in)	r (in)	t (in)	u (in)
1	RNER2M010L-L/S	17.1	12.4	15.6	8.7	20.3	7.1	1.2	3.74	0.9	5.1	8.1	4.3	2.0	1.22	3.3
1	RNER2M010S-L/S	17.1	12.4	15.6	8.7	20.3	7.1	1.2	3.74	0.9	5.1	8.1	4.3	2.0	1.22	3.3
1 1/2	RNER2M015S-L/S	19.9	12.8	16.4	8.8	20.5	7.3	1.3	4.33	1.1	4.9	8.3	4.6	2.4	1.42	3.0
2	RNER2M020L-L/S	22.4	12.8	16.4	8.8	20.5	7.3	1.5	4.33	1.1	4.9	8.3	4.6	2.4	1.42	3.0
2	RNER2M020S-L/S	23.0	12.8	16.4	8.8	20.5	7.3	1.5	4.33	1.1	4.9	8.3	4.6	2.4	1.42	3.0
2 1/2	RNER2M025S-L/S	24.4	13.4	17.4	8.9	20.5	7.3	1.5	4.92	1.1	5.2	8.5	5.2	2.7	1.69	2.8
3	RNER2M030C-L/S	32.9	13.4	17.4	8.9	20.5	7.3	1.7	4.92	1.1	5.2	8.5	5.2	2.7	1.69	2.8
5	RNER2M050L-L/S	33.1	15.7	19.8	11.0	20.8	7.6	1.9	5.51	1.7	5.7	9.2	5.9	3.4	2.13	2.2

RNER2 (CII/D2) Hazardous Location Electric Chain Hoists with Push or Geared Trolleys



RNER2P010S



RNER2P010L

SINGLE SPEED HOIST WITH PUSH OR GEARED TROLLEY — SPECIFICATIONS

Cap. (Tons)	Product Code	Std. Lift (ft)	Pendant Drop L (ft)	Lifting Speed (ft/min)	Lifting Motor 3 Phase 60 Hz			Flange Width Adjustability B (in)		*Minimum Allow. Radius for Curve (in)	Load Chain Diameter (mm) x Chain Fall Lines	**Net Weight (lbs)	**Weight for Additional One Foot of Lift (lbs)
					Output (Hp)	Rated Current (amps)		Standard	Optional				
						@208-230V	@460V						
1	RNER2P(G)010L	10	8.2	14	1.2	4.8	2.5	2.28-5.00	5.01-8.00 OR 8.01-12.00	51.2	7.7 x 1	121 (130)	0.89 (1.6)
1	RNER2P(G)010S			28	2.4	8.6	4.2						
1 1/2	RNER2P(G)015S			18	2.4	8.6	4.2	3.23-6.02	6.03-12.00	59.1	10.2 x 1	187 (196)	1.6 (2.2)
2	RNER2P(G)020L			14	2.4	8.6	4.2						
2	RNER2P(G)020S		28	4.7	16.4	7.9	10.2 x 1				231 (240)	1.6 (2.2)	
2 1/2	RNER2P(G)025S		22										
3	RNER2P(G)030C		9.2	17	66.9	10.2 x 2	284 (293)	3.2 (3.8)					
5	RNER2P(G)050L			11					90.6	11.2 x 2	399 (415)	3.8 (4.4)	

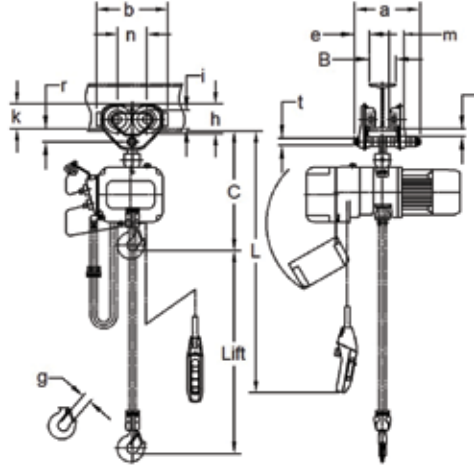
*Minimum Flange Width for curved beam: 1 Ton Push/Geared = 2.87 in.
3 Ton Push/Geared = 3.50 in.

**Figures in parentheses are specifications for geared trolley.

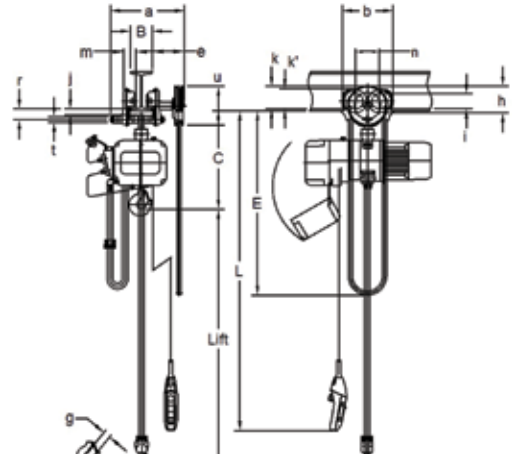
RNER2 (CII/D2) Hazardous Location Electric Chain Hoists with Push or Geared Trolleys



RNER2P010S



RNER2P010L



RNER2G010L

8

SINGLE SPEED HOIST WITH PUSH TROLLEY — DIMENSIONS

Cap. (Tons)	Product Code	Headroom C (in)	a (in)	b (in)	e (in)	g (in)	h (in)	i (in)	j (in)	k (in)	m (in)	n (in)	r (in)	t (in)
1	RNER2P010L	18.5	9.8	10.7	2.2	1.2	4.2	2.80	1.1	3.7	2.2	4.4	2.0	0.98
1	RNER2P010S	18.5	9.8	10.7	2.2	1.2	4.2	2.80	1.1	3.7	2.2	4.4	2.0	0.98
1 1/2	RNER2P015S	22.4	11.8	12.4	2.7	1.3	5.0	3.35	1.4	4.4	2.8	5.2	2.4	1.26
2	RNER2P020L	25.0	11.8	12.4	2.7	1.5	5.0	3.35	1.4	4.4	2.8	5.2	2.4	1.26
2	RNER2P020S	25.6	11.8	12.4	2.7	1.5	5.0	3.35	1.4	4.4	2.8	5.2	2.4	1.26
2 1/2	RNER2P025S	26.8	12.6	14.7	3.1	1.5	5.8	3.94	1.4	5.3	3.1	6.0	2.7	1.42
3	RNER2P030C	32.7	12.6	14.7	3.1	1.7	5.8	3.94	1.4	5.3	3.1	6.0	2.7	1.42
5	RNER2P050L	33.1	11.7	17.7	2.1	1.9	6.7	4.65	1.8	5.6	3.2	7.0	3.4	2.13

SINGLE SPEED HOIST WITH GEARED TROLLEY — DIMENSIONS

Cap. (Tons)	Product Code	Headroom C (in)	E (ft)	a (in)	b (in)	e (in)	g (in)	h (in)	i (in)	j (in)	k (in)	k' (in)	m (in)	n (in)	r (in)	t (in)	u (in)
1	RNER2G010L	18.5	10.5	13.6	9.3	6.0	1.2	4.2	2.80	1.1	3.7	4.2	2.2	4.4	1.9	0.98	7.2
1	RNER2G010S	18.5	10.5	13.6	9.3	6.0	1.2	4.2	2.80	1.1	3.7	4.2	2.2	4.4	1.9	0.98	7.2
1 1/2	RNER2G015S	22.4	10.5	15.2	11.0	6.1	1.3	5.0	3.35	1.4	4.4	4.3	2.8	5.2	2.4	1.26	7.2
2	RNER2G020L	25.0	10.5	15.2	11.0	6.1	1.5	5.0	3.35	1.4	4.4	4.3	2.8	5.2	2.4	1.26	7.2
2	RNER2G020S	25.6	10.5	15.2	11.0	6.1	1.5	5.0	3.35	1.4	4.4	4.3	2.8	5.2	2.4	1.26	7.2
2 1/2	RNER2G025S	26.8	11.0	15.7	12.8	6.2	1.5	5.8	3.94	1.4	5.3	4.5	3.1	6.0	2.7	1.42	7.2
3	RNER2G030C	32.7	11.0	15.7	12.8	6.2	1.7	5.8	3.94	1.4	5.3	4.5	3.1	6.0	2.7	1.42	7.2
5	RNER2G050L	33.1	11.5	15.8	15.7	6.2	1.9	6.7	4.65	1.8	5.6	5.1	3.2	7.0	3.4	2.13	7.2

RNER2B (CI/D1 and CII/D1) and RNER2D (CI/D2) Hazardous Location Hoists



RNER2B020LD

Our RNER2B/RNER2D series three phase hazardous location electric chain hoists are designed for use in locations where fire or explosion hazards may exist due to flammable gases/vapors/liquids or combustible dust.

RNER2B Hazardous Specifications (Hazloc)

Hazardous area*
Class I, II / Division 1

Protected Gas Group*
C (Ethylene)
D (Propane)

Protected Dust Group*
F (Coal)
G (Grain)

Temperature Class
T4 (135°C)

Potted Cable Glands
For applicable hazardous locations
3/4" NPT inlet

RNER2D Hazardous Specifications (Hazloc)

Hazardous area*
Class I / Division 2

Protected Gas Group*
B (Hydrogen)
C (Ethylene)
D (Propane)

Temperature Class
T4 (135°C)

Cable Glands
For applicable hazardous locations
3/4" NPT inlet

Features and Benefits

UL® Listed**
Certified and listed to applicable UL and CSA standards. Marked cULus

Long Life Friction Clutch
Protects hoist from damage and prevents overwinding.

**“The Guardian”:
Smart Brake Technology**
A current driven electromagnetic brake does not release unless the motor is energized. **10 year hoist brake warranty.**

Upper/Lower Limit Switch
Overwinding/overlifting device - Standard

Engineered Enclosures
Designed for specific hazardous locations.

Lightweight and Compact Black Carbon Pendant
With intrinsically safe barrier relay protection. Standard Emergency Stop

Standard Hoist Specifications

Capacity Range
1 Ton – 5 Ton

Voltages
208-230V-3-60
380-3-50/440-460V-3-60
575-3-60

Control
Dual Speed Contactor

Control Voltage
DC12V

Classification
ASME H4
ISO M5 or M4
FEM 2m or 1Am

Ratings
Hoist – IP54
Pendant – IP65

Standard Lift
10' (longer lifts available)

Power Supply
Not included

Power Supply Cable Gland
Not included

Mounting
Hook; geared, motorized trolley

Chain Containers
Standard - Steel

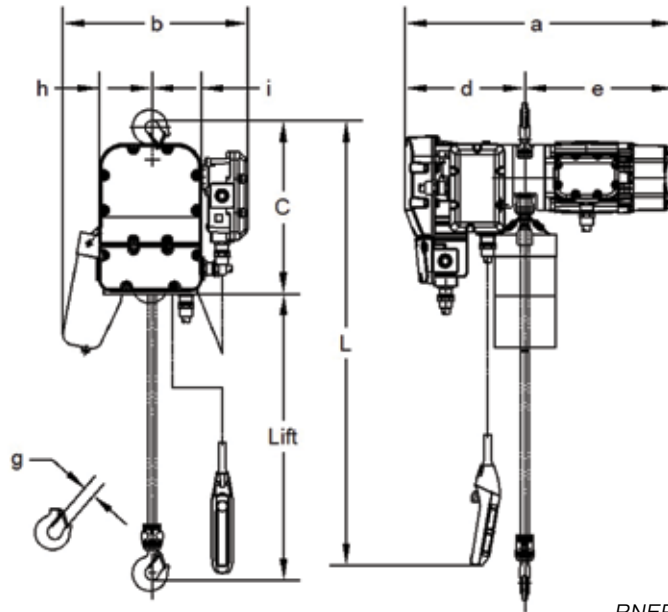
* Refer to page 16 for Class, Division, and Group details.

** Refer to page 14 for all Hazardous Location Conformance information.

RNER2B (CI/D1 and CII/D1) and RNER2D (CI/D2) Hazardous Location Hoists with Hook Suspension



RNER2B020LD



RNER2B(D)010LD

DUAL SPEED — SPECIFICATIONS

Cap. (Tons)	Product Code	Std. Lift (ft)	Pendant Drop (ft)	Lifting Speed (ft/min)		Lifting Motor* 3 Phase				Load Chain Diameter (mm) x Chain Fall Lines	Net Weight (lbs)	Weight for Additional One Foot of Lift (lbs)	
						Output (Hp)	Rated Current (amps)						50Hz @380V
							60Hz		50Hz @380V				
							@208-230V	@460V					
1	RNER2B(D)010LD	10	8.2	13.8/3.6	11.5/3.0	2.4/0.6	10.2/5	5.4/3.4	3.9/2.4	5.3/3.1	7.7 x 1	236	0.89
1	RNER2B(D)010SD			28.0/6.6	23.6/5.6						7.7 x 1	236	0.89
1 1/2	RNER2B(D)015SD			18.4/4.3	15.7/3.6						10.2 x 1	289	1.6
2	RNER2B(D)020CD			6.6/2.0	5.5/1.6						7.7 x 2	245	1.8
2	RNER2B(D)020LD			13.8/3.4	12.1/3.0	10.2 x 1	289	1.6					
2	RNER2B(D)020SD			26.2/5.9	22.0/4.9	10.2 x 1	327	1.6					
2 1/2	RNER2B(D)025SD			21.7/5.3	18.1/4.3	11.2 x 1	344	1.9					
3	RNER2B(D)030CD			9.2	9.2	16.4/4.0	13.8/3.5	4.7/1.2	18.7/8.1	8.3/4.9	6.4/3.6	8.3/4.8	10.2 x 2
5	RNER2B(D)050LD	10.8/2.5	9.2/2.2			11.2 x 2	417						3.8

*Although 208/230, 380, 460 & 575 Volts are shown, voltage can NOT be changed, due to electrical components being voltage specific.

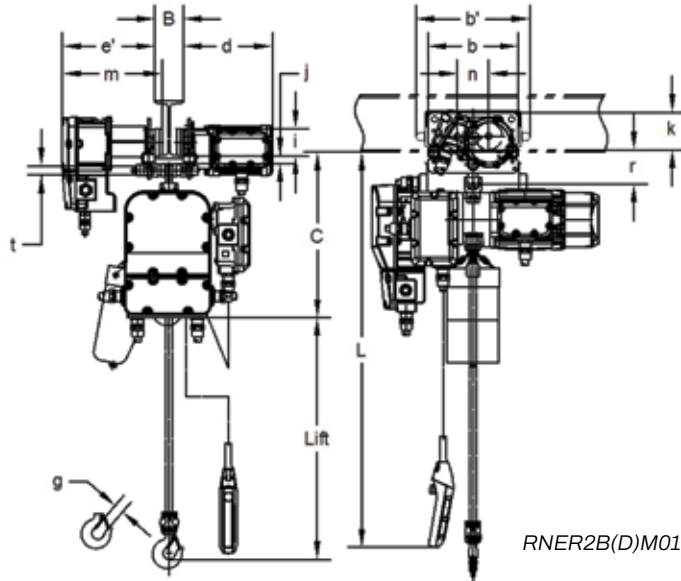
DUAL SPEED — DIMENSIONS

Cap. (Tons)	Product Code	Headroom C (in)	a (in)	b (in)	d (in)	e (in)	g (in)	h (in)	i (in)
1	RNER2B(D)010LD	16.9	31.1	21.4	13.9	17.2	1.2	6.1	11.1
1	RNER2B(D)010SD	16.9	31.1	21.4	13.9	17.2	1.2	6.1	11.1
1 1/2	RNER2B(D)015SD	20.1	33.1	23.1	15.4	17.6	1.3	6.7	11.1
2	RNER2B(D)020CD	27.5	31.1	21.8	13.9	17.2	1.5	7.8	11.1
2	RNER2B(D)020LD	22.6	33.1	23.1	15.4	17.6	1.5	6.7	11.1
2	RNER2B(D)020SD	23.2	36.3	23.1	17.0	19.3	1.5	6.7	11.1
2 1/2	RNER2B(D)025SD	24.6	35.9	21.5	16.6	19.4	1.5	6.9	10.9
3	RNER2B(D)030CD	32.9	36.3	26.2	17.0	19.3	1.7	8.9	8.9
5	RNER2B(D)050LD	35.8	35.9	22.7	16.6	19.4	1.9	9.2	8.7

RNER2B (CI/D1 and CII/D1) and RNER2D (CI/D2) Hazardous Location Hoists with Motorized Trolleys



RNER2BM020LD-SD



RNER2B(D)M010LD-SD

DUAL SPEED HOIST WITH DUAL SPEED TROLLEY — SPECIFICATIONS

Cap. (Tons)	Product Code	Std. Lift (ft)	Push Button Cord L (ft)	Lifting Speed (ft/min)		Traversing Speed (ft/min)		Lifting Motor* 3Phase				Traversing Motor* 3Phase				Flange Width Adjustability (in)		Min. Allow. Radius for Curve (in)	Load Chain Diameter (mm) x Chain Fall Lines	Net Weight (lbs)	Weight for Add. One Foot of Lift (lbs)																						
				60Hz	50Hz	60Hz	50Hz	Output (Hp)	Rated Current (amps)				Output (Hp)	Rated Current (amps)								Standard	Optional																				
									60Hz		50Hz			60Hz		50Hz																											
				@	@	@	@	@	@	@	@	@	@	@	@	@	@					@	@																				
1	RNER2B(D)M010LD-SD	10	8.2	13.8/3.6	11.5/3.0	80	65.6	/20	/16.4	4.7	/1.2	18.7	/8.1	8.3	/4.9	6.4	/3.6	8.3	/4.8	0.79	/0.2	2.9	/3.0	1.9	/2.2	1.3	/1.1	2.4	/2.7	2.28-5.00	5.01-6.02 OR 6.03-12.00	31.5**	7.7x1	386	0.89								
1	RNER2B(D)M010SD-SD			28.0/6.6	23.6/5.6																												10.2	/5	5.4	/3.4	3.9	/2.4	5.3	/3.1	6.03-7.02 OR 7.03-12.00	31.5***	10.2x1
1 1/2	RNER2B(D)M015SD-SD			18.4/4.3	15.7/3.6																									10.2	/5	5.4	/3.4	3.9	/2.4	5.3	/3.1	6.03-7.02 OR 7.03-12.00	31.5***	10.2x1	459	1.6	
2	RNER2B(D)M020CD-SD			6.6/2.0	5.5/1.6																									10.2	/5	5.4	/3.4	3.9	/2.4	5.3	/3.1	6.03-7.02 OR 7.03-12.00	31.5***	7.7x2	400	1.8	
2	RNER2B(D)M020LD-SD			13.8/3.4	12.1/3.0																									10.2	/5	5.4	/3.4	3.9	/2.4	5.3	/3.1	6.03-7.02 OR 7.03-12.00	31.5***	10.2x1	459	1.6	
2	RNER2B(D)M020SD-SD			26.2/5.9	22.0/4.9																									10.2	/5	5.4	/3.4	3.9	/2.4	5.3	/3.1	6.03-7.02 OR 7.03-12.00	31.5***	10.2x1	497	1.6	
2 1/2	RNER2B(D)M025SD-SD			21.7/5.3	18.1/4.3																									10.2	/5	5.4	/3.4	3.9	/2.4	5.3	/3.1	6.03-7.02 OR 7.03-12.00	31.5***	11.2x1	538	1.9	
3	RNER2B(D)M030CD-SD			16.4/4.0	13.8/3.5																									10.2	/5	5.4	/3.4	3.9	/2.4	5.3	/3.1	6.03-7.02 OR 7.03-12.00	31.5***	10.2x2	569	3.2	
5	RNER2B(D)M050LD-SD			9.2	10.8/2.5																									9.2/2.2	10.2	/5	5.4	/3.4	3.9	/2.4	5.3	/3.1	6.03-7.02 OR 7.03-12.00	31.5***	11.2x2	585	3.8

*Although 208/230, 380, 460 & 575 Volts are shown, voltage can NOT be changed, due to electrical components being voltage specific.

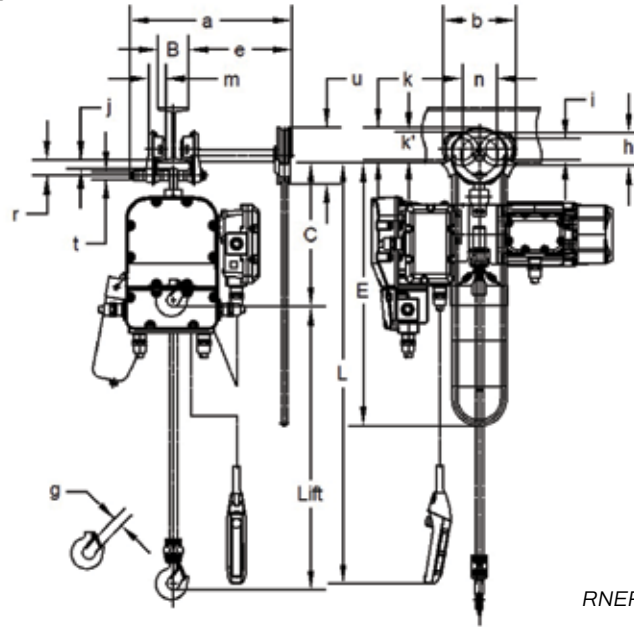
**Flange widths smaller than 4 inches will have a minimum radius of 137.8 inches.

***Flange widths smaller than 5 inches will have a minimum radius of 39.4 inches.

DUAL SPEED HOIST WITH DUAL SPEED TROLLEY — DIMENSIONS

Cap. (Tons)	Product Code	Headroom C (in)	b (in)	b' (in)	d (in)	e' (in)	g (in)	i (in)	j (in)	k (in)	m (in)	n (in)	r (in)	t (in)
1	RNER2B(D)M010LD-SD	18.7	12.4	15.6	12.2	12.7	1.2	3.74	1.0	5.1	13.7	4.3	4.7	1.22
1	RNER2B(D)M010SD-SD	18.7	12.4	15.6	12.2	12.7	1.2	3.74	1.0	5.1	13.7	4.3	4.7	1.22
1 1/2	RNER2B(D)M015SD-SD	22.4	12.8	16.4	12.4	12.9	1.3	4.33	1.2	4.9	13.9	4.6	5.4	1.42
2	RNER2B(D)M020CD-SD	27.0	12.8	16.4	12.4	12.9	1.5	4.33	1.2	4.9	13.9	4.6	5.4	1.42
2	RNER2B(D)M020LD-SD	25.0	12.8	16.4	12.4	12.9	1.5	4.33	1.2	4.9	13.9	4.6	5.4	1.42
2	RNER2B(D)M020SD-SD	25.6	12.8	16.4	12.4	12.9	1.5	4.33	1.2	4.9	13.9	4.6	5.4	1.42
2 1/2	RNER2B(D)M025SD-SD	26.8	13.4	17.4	12.4	12.9	1.5	4.92	1.3	5.2	14.1	5.2	6.0	1.69
3	RNER2B(D)M030CD-SD	32.7	13.4	17.4	12.4	14.5	1.7	4.92	1.3	5.2	15.7	5.2	6.0	1.69
5	RNER2B(D)M050LD-SD	35.2	15.7	19.8	12.7	14.8	1.9	5.51	1.8	5.7	16.4	5.9	6.7	2.13

RNER2B (CI/D1 and CII/D1) and RNER2D (CI/D2) Hazardous Location Hoists with Geared Trolley



RNER2B(D)G010LD

DUAL SPEED HOIST WITH DUAL SPEED TROLLEY — SPECIFICATIONS

Cap. (Tons)	Product Code	Std. Lift (ft)	Pendant Drop L (ft)	Lifting Speed (ft/min)		Lifting Motor 3 Phase*				Flange Width Adjustability B (in)		**Minimum Allow. Radius for Curve (in)	Load Chain Diameter (mm) x Chain Fall Lines	Net Weight (lbs)	Weight for Additional One Foot of Lift (lbs)						
						Rated Current (amps)															
						Output (Hp)	60Hz		50Hz												
@208-230V	@460V	@575V	@380V																		
1	RNER2B(D)G010LD	10	8.2	13.8/3.6	11.5/3.0	2.4/0.6	10.2/5	5.4/3.4	3.9/2.4	5.3/3.1	2.28-5.00 OR 8.01-12.00	51.2	7.7 x 1	265	1.6						
1	RNER2B(D)G010SD			28.0/6.6	23.6/5.6								7.7 x 1	265	1.6						
1 1/2	RNER2B(D)G015SD			18.4/4.3	15.7/3.6								3.23-6.02	6.03-12.00	59.1	10.2 x 1	328	2.2			
2	RNER2B(D)G020CD			6.6/2.0	5.5/1.6											7.7 x 2	287	2.4			
2	RNER2B(D)G020LD			13.8/3.4	12.1/3.0											10.2 x 1	331	2.2			
2	RNER2B(D)G020SD			26.2/5.9	22.0/4.9											10.2 x 1	538	2.2			
2 1/2	RNER2B(D)G025SD			21.7/5.3	18.1/4.3								4.7/1.2	18.7/8.1	8.3/4.9	6.4/3.6	8.3/4.8	66.9	11.2 x 1	408	2.5
3	RNER2B(D)G030CD			16.4/4.0	13.8/3.5														10.2 x 2	437	3.8
5	RNER2B(D)G050LD			10.8/2.5	9.2/2.2														3.94-7.02	7.03-12.00	90.6

*Although 208/230, 380, 460 & 575 Volts are shown, voltage can NOT be changed, due to electrical components being voltage specific.

**Minimum Flange Width for curved beam: 1 Ton Geared = 2.87 in.
3 Ton Geared = 3.50 in.

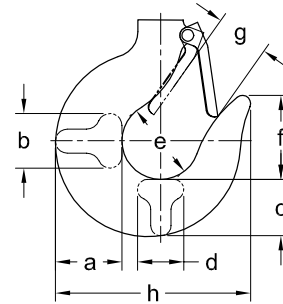
DUAL SPEED HOIST WITH GEARED TROLLEY — DIMENSIONS

Cap. (Tons)	Product Code	Headroom C (in)	E (ft)	a (in)	b (in)	e (in)	g (in)	h (in)	i (in)	j (in)	k (in)	k' (in)	m (in)	n (in)	r (in)	t (in)	u (in)
1	RNER2B(D)G010LD	18.5	10.5	20.9	9.3	13.3	1.2	4.2	2.80	1.1	3.7	4.2	2.2	4.4	1.9	0.98	7.2
1	RNER2B(D)G010SD	18.5	10.5	20.9	9.3	13.3	1.2	4.2	2.80	1.1	3.7	4.2	2.2	4.4	1.9	0.98	7.2
1 1/2	RNER2B(D)G015SD	22.4	10.5	24.8	11.0	15.7	1.3	5.0	3.35	1.4	4.4	4.3	2.8	5.2	2.4	1.26	7.2
2	RNER2B(D)G020CD	27.0	10.5	24.8	11.0	15.7	1.5	5.0	3.35	1.4	4.4	4.3	2.8	5.2	2.4	1.26	7.2
2	RNER2B(D)G020LD	25.0	10.5	24.8	11.0	15.7	1.5	5.0	3.35	1.4	4.4	4.3	2.8	5.2	2.4	1.26	7.2
2	RNER2B(D)G020SD	25.6	10.5	24.8	11.0	15.7	1.5	5.0	3.35	1.4	4.4	4.3	2.8	5.2	2.4	1.26	7.2
2 1/2	RNER2B(D)G025SD	26.8	11.0	25.4	12.8	15.9	1.5	5.8	3.94	1.4	5.3	4.5	3.1	6.0	2.7	1.42	7.2
3	RNER2B(D)G030CD	32.7	11.0	25.4	12.8	15.9	1.7	5.8	3.94	1.4	5.3	4.5	3.1	6.0	2.7	1.42	7.2
5	RNER2B(D)G050LD	35.4	11.5	24.8	15.7	15.2	1.9	6.7	4.65	1.8	5.6	5.1	3.2	7.0	3.4	2.13	7.2

Options and Technical Data

RNER2 HOOK—DIMENSIONS

Product Code	Hook**	a (in)	b (in)	c (in)	d (in)	e (in)	f (in)	g (in)	h (in)
RNER2(B/D)010L, 010S	T & B	1.5	0.9	1.2	0.9	1.7	1.8	1.2	4.3
RNER2(B/D)020C*	T & B	1.9	1.1	1.6	1.1	2.0	2.2	1.5	5.4
RNER2(B/D)015S	T	2.0	1.3	1.7	1.3	2.1	2.2	1.5	5.7
	B	1.7	1.1	1.5	1.1	1.9	2.0	1.3	4.9
RNER2(B/D)020L, 020S	T & B	2.0	1.3	1.7	1.3	2.1	2.2	1.5	5.7
RNER2(B/D)025S	T	2.0	1.3	1.7	1.3	2.4	2.4	1.7	6.1
	B	2.0	1.3	1.7	1.3	2.1	2.2	1.5	5.7
RNER2(B/D)030C	T & B	2.2	1.4	1.9	1.4	2.4	2.5	1.7	6.3
RNER2(B/D)050L	T & B	2.6	1.7	2.2	1.7	2.5	2.9	1.9	7.4



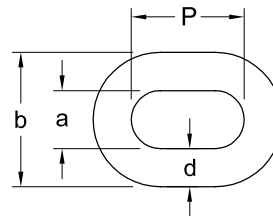
Hook Dimensions

*020C is only applicable for RNER2B and RNER2D models.

**T = top hook, B = bottom hook

RNER2 CHAIN—DIMENSIONS

Cap. (Tons)	Product Code	d (in)	a (in)	b (in)	P (in)
1	RNER2(B/D)010L(D)	0.30	0.46	1.06	0.84
1	RNER2(B/D)010S(D)	0.30	0.46	1.06	0.84
1 1/2	RNER2(B/D)015S(D)	0.40	0.60	1.41	1.12
2	RNER2(B/D)020C(D)	0.30	0.46	1.06	0.84
2	RNER2(B/D)020L(D)	0.40	0.60	1.41	1.12
2	RNER2(B/D)020S(D)	0.40	0.60	1.41	1.12
2 1/2	RNER2(B/D)025S(D)	0.44	0.65	1.54	1.23
3	RNER2(B/D)030C(D)	0.40	0.60	1.41	1.12
5	RNER2(B/D)050L(D)	0.44	0.65	1.54	1.23



Chain Dimensions

Conformance

Ordinary Conformance

Harrington's RNER2, RNER2B, and RNER2D hoists and trolley hoists are produced to comply with:

- UL 1340, "Standard for Hoist" (hoists in standard configurations, including certain options)
- NFPA 70 "National Electric Code"
- ASME B30.10, "Hooks"
- ASME B30.16, "Safety Standard – Overhead Hoists (Underhung)"
- ASME HST-1, "Performance Standard for Electric Chain Hoists"

Harrington's RNER2B, and RNER2D hoists and trolley hoists are produced to comply with:

- C22.2 No.33-M1984, "Construction and Test of Electrical Cranes and Hoists"

Harrington's manual and electric-powered trolleys are produced to comply with the trolley-related requirements of:

- ASME B30.11, "Safety Standard – Monorails and Underhung Cranes"
- ASME B30.17, "Safety Standard – Overhead and Gantry Canes (Top Running Bridge, Single Girder, Underhung Hoist)"
- OSHA Section 1910.179 of Title 29, "Occupational Safety and Health Regulations-Overhead and Gantry Cranes"

Hazardous Location Conformance

RNER2 in standard configurations are certified by UL for use in Class II, Division II hazardous locations as defined by NEC per the following standards:

- UL1836 "Outline of investigation for electric motors and generators for use in Class I, Division 2, Class I, Zone 2, Class II, Division 2 and Zone 22 Hazardous (Classified) Locations"
- UL 2011, "Outline of Investigation for Machinery"
- UL121201, Nonincendive Electrical Equipment for Use in Class I and II, Division 2 and Class III, Divisions 1 and 2 Hazardous (classified Locations)

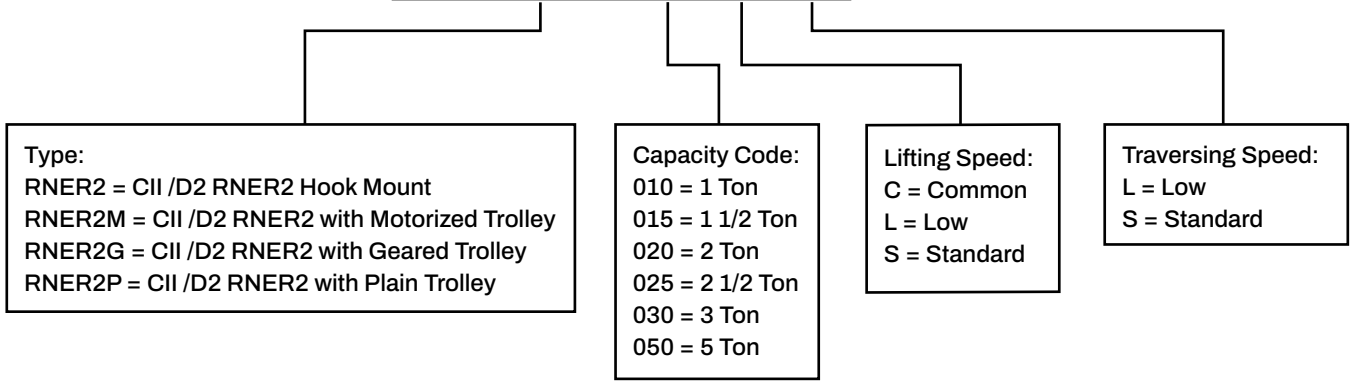
RNER2D in standard configurations are certified by UL for use in Class I, Division II hazardous locations (as defined by NEC) and

RNER2B in standard configurations are certified by UL for use in Class I/ Division I, Class I/Division II, and Class II/Division I hazardous locations (as defined by NEC) per the following standards:

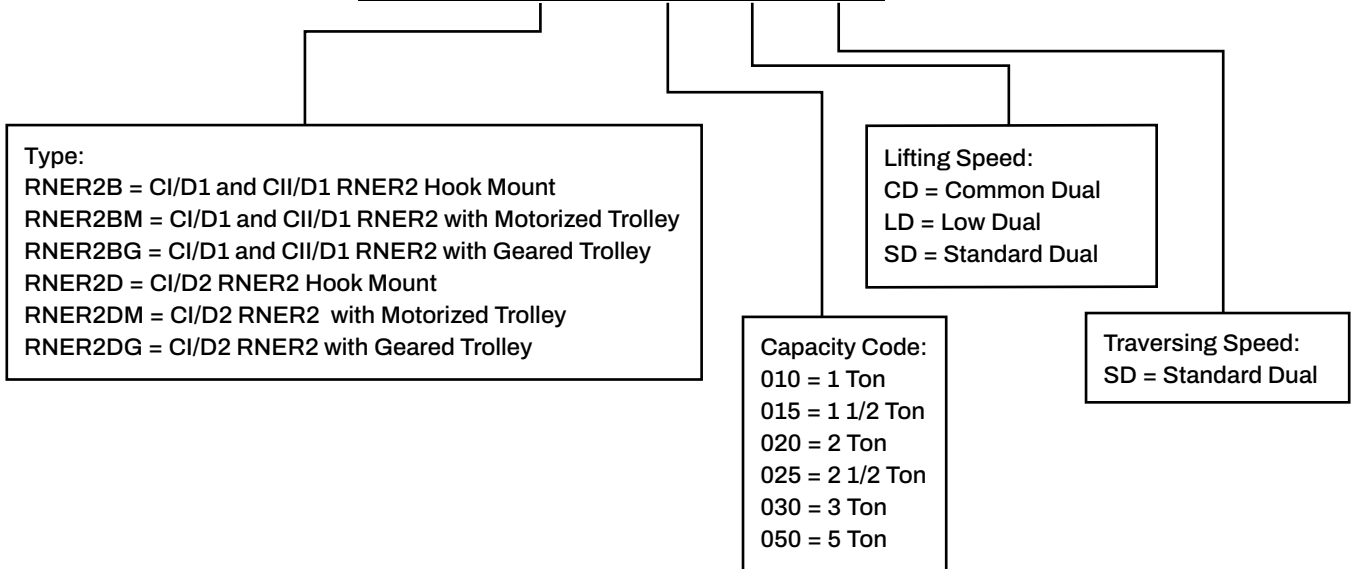
- UL 674, "Electric Motors and Generators for Use in Hazardous (Classified) Locations"
- UL 1836 "Outline of investigation for electric motors and generators for use in Class I, Division 2, Class I, Zone 2, Class II, Division 2 and Zone 22 Hazardous (Classified) Locations"
- LTR E-013-2005, Motors and Generators for Use in Class I, Division 2, and Class II, Division 2 Hazardous Locations"
- UL 2011, "Outline of Investigation for Machinery"
- UL 1203, "Explosion-Proof and Dust-Ignition-Proof Electrical Equipment for Use in Hazardous (Classified) Locations"
- UL 121201 and CSA C22.2 No. 213-17, "Nonincendive Electrical Equipment for Use in Class I and II, Division 2 and Class III, Divisions 1 and 2 Hazardous (Classified) Locations"
- UL 698A, "Industrial Control Panels Relating to Hazardous (Classified) Locations"
- UL 913, "Intrinsically Safe Apparatus and Associated Apparatus for use in Class I, II, III, Division 1, Hazardous (Classified) Locations"
- CSA C22.2 No. 25, "Enclosures for Use in Class II Groups E, F, and G Hazardous Locations"
- CSA C22.2 No. 30, "Explosion-proof equipment"
- CSA C22.2 NO. 157-92, "Intrinsically Safe and Non-Incendive Equipment for use in Hazardous Locations"
- CAN/CSA C22.2 No. 145, "Motors and Generators for Use in Hazardous Locations"

Product Codes

RNER2M 020 S-L/S



RNER2BM 020 SD-SD



Hazardous Location Use

RNER2B HAZARDOUS LOCATION USE GAS AND DUST

GAS: Class I Division 1

Group C (example: Ethylene) and Group D (example: Propane)

GAS: Class I Division 2

****Group B (example: Hydrogen)****, Group C (example: Ethylene) and Group D (example: Propane)

DUST: Class II Division 1

Group F (example: Coal dust), Group G (example: Grain dust)

DUST: Class II Division 2

Group F (example: Coal dust), Group G (example: Grain dust)

**** WARNING: RNER2B not to be used in a hazardous location where GAS Class I Division 2 Group B (example: Hydrogen) is combined with DUST Class II Division 1 or DUST Class II Division 2.****

RNER2D HAZARDOUS LOCATION USE GAS ONLY

GAS: Class I Division 2

Group B (example: Hydrogen), Group C (example: Ethylene) and Group D (example: Propane)

RNER2 HAZARDOUS LOCATION USE DUST ONLY

DUST: Class II Division 2

Group F (example: Coal dust) and Group G (example: Grain dust)

WARNING: Always consult a Qualified Person regarding hazardous locations and selection of equipment suitable for your specific application.

Notes

Complete Product Offering

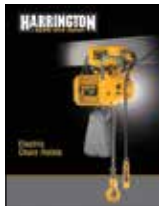
Over the years Harrington has continued to respond to the needs of our customers by further expanding our product offerings. In addition to the many models described in this catalog, our full series of product catalogs, as shown below, will provide you with all of the information you will need to answer questions, specify a product and place an order. For catalog copies or answers to specific product questions, please contact our Customer Service Department by calling 800-233-3010 or e-mail customerservice@harringtonhoists.com



Manual Hoist Products Catalog

Refer to this Harrington catalog for detailed information on the following:

- Lever hoists
- Hand chain hoists
- Hoist and trolley combinations
- Low headroom trolley hoists
- Push and geared trolleys
- Hoist load testers



Electric Chain Hoists Catalog

Refer to this Harrington catalog for detailed information on the following:

- Three phase electric hoists and trolleys
- Single phase electric hoists and trolleys
- Ergonomic electric hoists



Air Powered Hoists Catalog

Refer to this Harrington catalog for detailed information on the following:

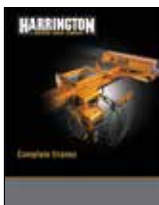
- Compact Mini-Cat with pendant, cord and manipulator controls
- Air hoists with pendant and cord controls
- Air trolleys



Crane Components Catalog

Refer to this Harrington catalog for detailed information on the following:

- End trucks-top running-motorized, geared and push
- End trucks-underhung-motorized, geared and push
- Double girder MAX-E-Lift end trucks
- Convertible push end trucks
- Beam accessory kits



Complete Cranes Catalog

Refer to this Harrington catalog for detailed information on the following:

- Heavy-duty Class C single girder top running and underhung cranes
- Heavy-duty Class C double girder top running and underhung cranes
- Medium-duty top running and underhung push cranes
- Crane control panels



Below-The-Hook and Material Handling Equipment

Refer to this Harrington catalog for detailed information on the following:

- Lifting beams and spreader beams
- Roll lifters, coil lifters and tongs
- Sheet lifters and pallet lifters
- Fork truck accessories
- Material stands and material baskets

Warranty

Buyer must notify HHI in writing within sixty (60) days of discovery of any alleged defect, if within the applicable warranty period.

All products sold by HHI are warranted to be free from defects in material and workmanship from date of shipment by HHI for the following periods:

1 year – Electric and Air Powered Hoists (excluding (N)ER2 Hoists and EQ/SEQ Hoists), Powered Trolleys, Powered Tiger Track Jibs and Gantries, Crane Components, Below the Hook Devices, Spare/Replacement Parts

2 years – Manual Hoists & Trolleys, Beam Clamps

3 years – (N)ER2 Hoists, EQ/SEQ Hoists, (T)EM/(T)SEM hoists, and RY Hoists

5 years – Manual Tiger Track Jibs and Gantries, Hoist Motor Brakes for EQ/SEQ, (T)EM/(T)SEM, and RY

10 years – (N)ER2 Brake, TNER Hoist Motor Brake, Tiger Track Workstation Cranes, and Monorails

The product must be used in accordance with manufacturer's recommendations and must not have been subject to abuse, lack of maintenance, misuse, negligence, or unauthorized repairs or alterations.

Should any defect in material or workmanship occur during the above time period in any product, as determined by HHI's inspection of the product, HHI agrees, at its discretion, either to replace (not including installation) or repair the part or product free of charge. For customers in the U.S., delivery shall be made F.O.B. HHI's place of business. For international customers, delivery shall be made FCA HHI place of business, United States of America (Incoterms 2010).

No warranty claim will be honored without a valid proof of purchase. Customer must obtain a Return Goods Authorization as directed by HHI or its published repair center prior to shipping product for warranty evaluation. An explanation of the complaint must accompany the product. Product must be returned freight prepaid. Upon repair, the product will be covered for the remainder of the original warranty period. Replacement parts installed after the original warranty period will only be eligible for replacement (not including installation) for a period of one year from the installation date. If it is determined there is no defect, or that the defect resulted from causes not within the scope of HHI's warranty, the customer will be responsible for the costs of returning the product.

HHI DISCLAIMS ANY AND ALL OTHER WARRANTIES OF ANY KIND, EXPRESSED OR IMPLIED, AS TO THE PRODUCT'S MERCHANTABILITY OR FITNESS FOR A PARTICULAR PURPOSE. HHI WILL NOT BE LIABLE FOR DEATH, INJURIES TO PERSONS OR PROPERTY OR FOR INCIDENTAL, CONTINGENT, SPECIAL OR CONSEQUENTIAL DAMAGES, LOSS OR EXPENSE ARISING IN CONNECTION WITH THE USE OR MISUSE OF THE PRODUCTS, REGARDLESS OF WHETHER THE DAMAGE, LOSS OR EXPENSE RESULTS FROM ANY ACT OR FAILURE TO ACT BY HHI, WHETHER NEGLIGENT OR WILLFUL, OR FROM ANY OTHER CAUSE.



www.kitocrosby.com/harrington

www.harringtonhoists.com

800-233-3010 / 717-665-2000

