

Model 32

Adjustable Spreader Beams



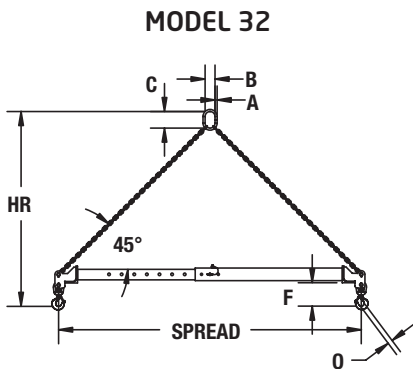
In-Stock

Product Features:

- Ideal where headroom is not limited
- Adds stability to lift
- Telescopic spread standard
- Spread adjusts in 1" increments
- Available with standard chain or wire rope rigging
- Complies with ASME standards
- Choose from a wide range of sizes and capacities
- Telescoping adjustment at 12 inch increments
- Custom designs available

Rigging Options:

- OPTION C: Chain top rigging from beam to crane hook with coupler attachment. For ordering Model C's - Example: 32C-2-4/6
- OPTION W: Wire rope top rigging from beam to crane hook. WR Lug required for 25-40 ton capacity beams. For ordering Model W's - Example: 32W-2-4/6



Cap. (tons)	Model Number	Spread (ft.) Min./Max.	HR Head-room Min./Max. w/chain (in.)	Weight Beam & Hooks (lbs.)	A Oblong Dia. (in.)	B Oblong Width (in.)	C Oblong Height (in.)	F - Hook To Beam Bottom (in.)	O - Hook Opening w/latch (in.)	Chain Rigging Weight (lbs.)
2	32-2-4/6	4 / 6	48/57	70	1/2	2.36	3.94	5.5	0.97	9
	32-2-6/10	6 / 10	72/88	85						13
	32-2-8/14	8 / 14	96/113	175						17
	32-2-12/20	12 / 20	132/166	245						23
5	32-5-4/6	4 / 6	55/64	105	1	5.38	7.09	8.4	1.41	34
	32-5-6/10	6 / 10	79/95	160						47
	32-5-8/14	8 / 14	102/126	205						61
	32-5-12/20	12 / 20	138/172	670						82
10	32-10-4/6	4 / 6	60/69	130	1-1/4	5.71	10.83	10.6	1.78	49
	32-10-6/10	6 / 10	74/111	175						69
	32-10-8/14	8 / 14	108/132	460						88
	32-10-12/20	12 / 20	144/163	680						118
15	32-15-4/6	4 / 6	64/72	165	1-1/2	5.90	10.5	13.6	2.22	78
	32-15-6/10	6 / 10	87/104	365						111
	32-15-8/14	8 / 14	111/135	478						145
	32-15-12/20	12 / 20	147/180	700						194
20	32-20-7/11	7 / 11	93/107	430	1.75	6.0	12.0	14.2	2.27	175
	32-20-9/15	9 / 15	123/144	540						225
	32-20-12/20	12 / 20	151/180	822						275
25	32-25-7/11	7 / 11	98/107	430	2	7.0	14.0	14.2	2.27	240
	32-25-9/15	9 / 15	119/141	540						295
	32-25-12/20	12 / 20	149/179	825						365
30	32-30-7/11	7 / 11	102/115	615	2	7.0	14.0	18.3	3.02	240
	32-30-9/15	9 / 15	124/145	750						295
	32-30-12/20	12 / 20	154/183	1065						365
40	32-40-7/11	7 / 11	105/118	620	2.25	8.0	16.0	18.3	3.02	375
	32-40-9/15	9 / 15	127/148	840						470
	32-40-12/20	12 / 20	154/184	1500						565