

# DURA-LITE™

## COMPOSITE BEAM FEATURES

- Lightweight
- Non-corrosive
- Non-conductive
- Can be used for wide range of applications
- Standard capacities range from 1/4 to 3 tons
- Custom Designed Dura-Lite™ equipment available
- Amazingly strong and impact resistant

**BEAMS COMPLY WITH CURRENT ASME B30.20, BTH-1, DESIGN CATEGORY B, SERVICE CLASS 4 STANDARDS**

**DURA-LITE™** Beams have been...

- ✓ Chemical tested.
- ✓ Temperature tested.
- ✓ Cycle tested.
- ✓ Proof tested with a certificate issued.

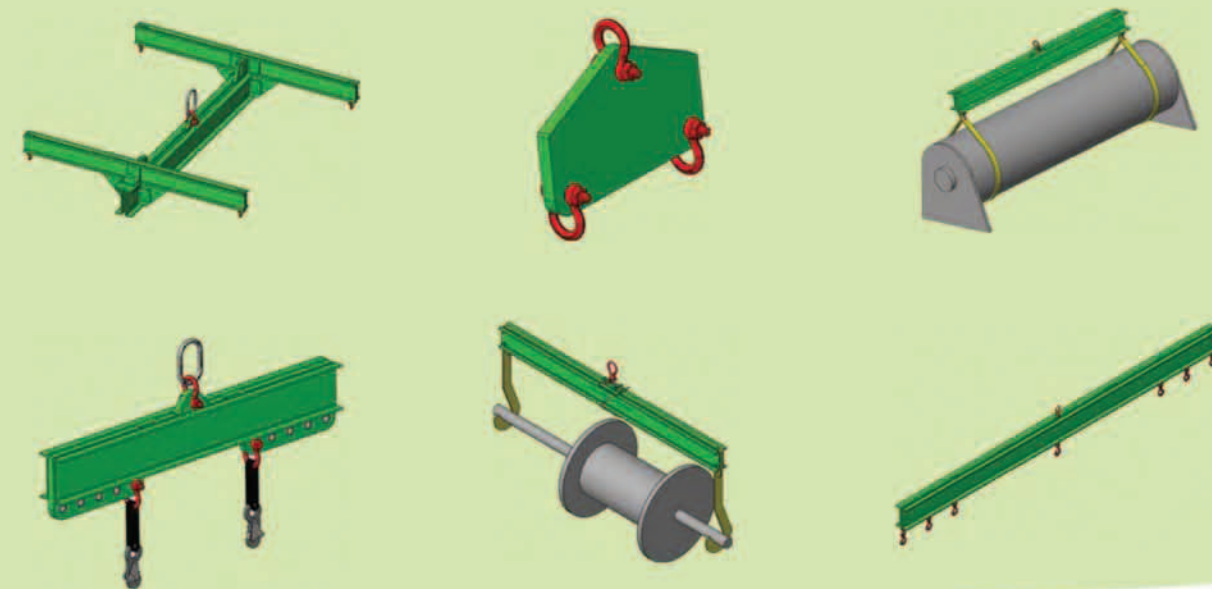
### COMPOSITE BEAM ADVANTAGES

Caldwell Dura-Lite™ equipment offers many advantages to a wide variety of applications and industries

- Composite material is not detected by radar, ideal for military applications.
- Lightweight composite beams do not reduce crane capacity as much as the steel equivalent.
- Beams 8' and under can be shipped via small package service saving time and money.
- Non-conductive materials are ideal for use in the utility industry.
- Marine applications and other harsh environments are no match for the non-corrosive properties of our composite beams.
- Dura-Lite™ beams are the lightweight, ergonomic solution needed to help reduce work related injuries.
- Service class 4 means that these lifters are designed for 2 million load cycles - that's over 30 years at 200 lifts per day!

## THE CALDWELL GROUP

Caldwell designs, fabricates, manufactures and sells an extensive line of quality, below-the-hook lifting products for almost any industry application. In addition to our standard products, we have a team of engineers who can custom design solutions to address specific lifting challenges.



Scan Code For More On Caldwell Lifting Beams

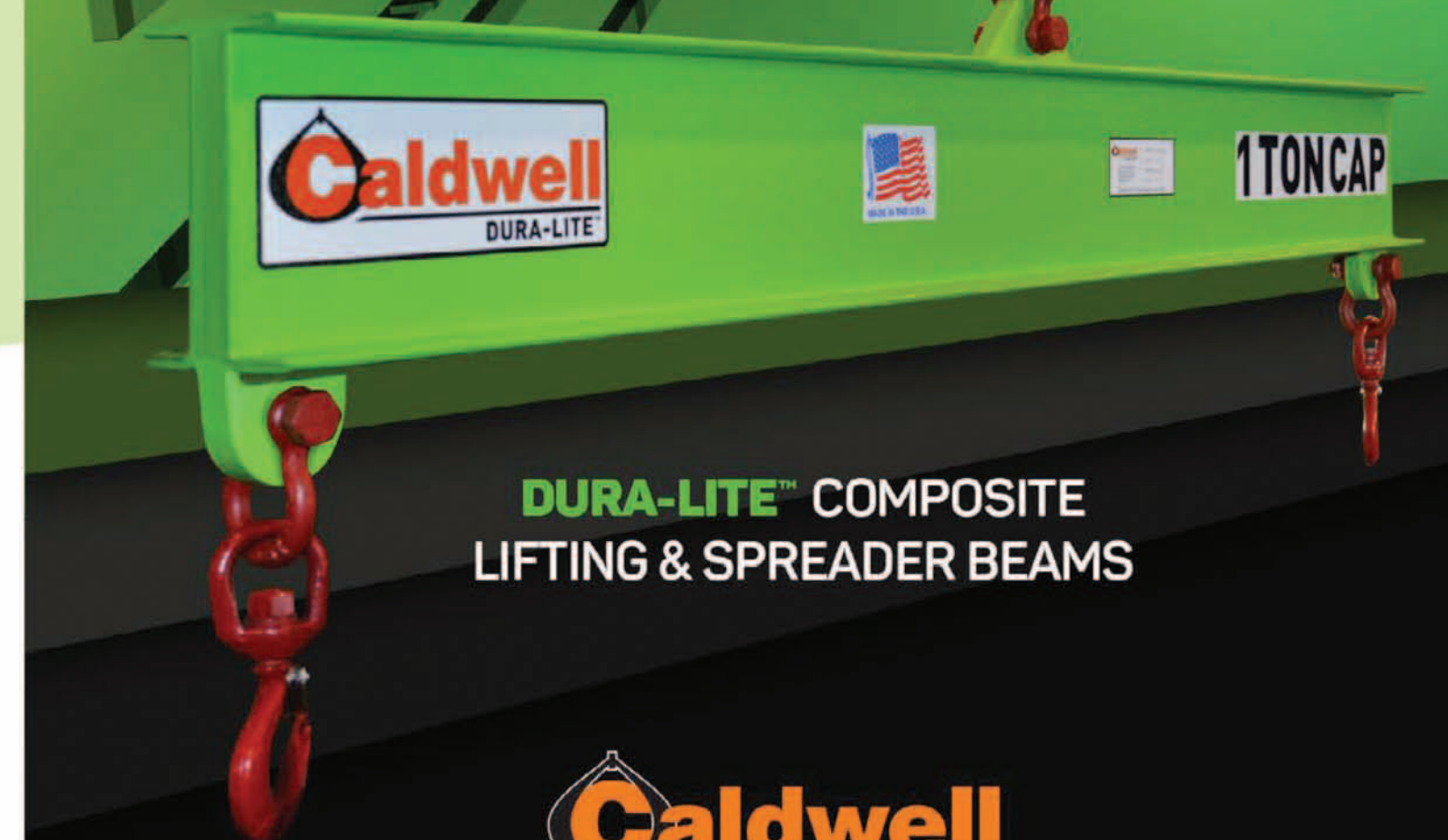


5025 26th Avenue • Rockford, Illinois 61109 USA  
 Phone: +1.815.229.5667 • Fax: +1.815.229.5686  
 Toll Free: 800.628.4263  
 caldwellic.com

# CALDWELL

## INTRODUCES AN INDUSTRY GAME CHANGER TO LIFTING BEAMS

**STRONG – LIGHTWEIGHT – DURABLE**



**DURA-LITE™ COMPOSITE LIFTING & SPREADER BEAMS**



## CALDWELL'S NEW COMPOSITE BEAMS ARE AS STRONG AS AN OX.

**DURA-LITE™** Beams are half the weight of steel beams, yet strong enough for your toughest lifting jobs!

### STRENGTH OF **DURA-LITE™** COMPOSITE BEAMS

Years of development by Caldwell's engineers allow us to bring the latest technology to the lifting industry. Our patent pending Dura-Lite™ products provide new capabilities with strong lightweight materials.

Dura-Lite™ lifting and spreader beams incorporate the same composite technology being used in today's Aerospace, Automotive and Construction industries. Our products are constructed using the latest composite and bonding technology providing a high strength to weight ratio.

Caldwell's Dura-Lite™ engineering and fabrication technology has been proven through extensive internal and external testing. Third-party cycle and environmental tests, internal destructive tests, and customer field trials all prove that Dura-Lite™ beams are, pound for pound, the strongest lifting technology available today.

# FOR MULTIPLE APPLICATIONS

CALDWELL MANUFACTURES STANDARD MODELS OF LIFTING AND SPREADER BEAMS RANGING FROM 1/4 TO 3 TONS WITH UNITS 8' AND UNDER IN STOCK. WE CAN DESIGN AND BUILD CUSTOM EQUIPMENT TO SUIT YOUR SPECIFIC APPLICATION. WATCH FOR NEW STANDARD PRODUCTS AS WELL!



Reduced rigging weight allows for higher load capacities



Durable composite lifting equipment can be used in industrial applications such as manufacturing earth moving equipment



Composite beams are non-corrosive.

## CALDWELL IS A WORLDWIDE SUPPLIER OF LIFTING EQUIPMENT

We know lifting and can apply our experience to any application in any industry. Our engineers design around the latest industry standards. We also have a network of



Composite beams are non-conductive.

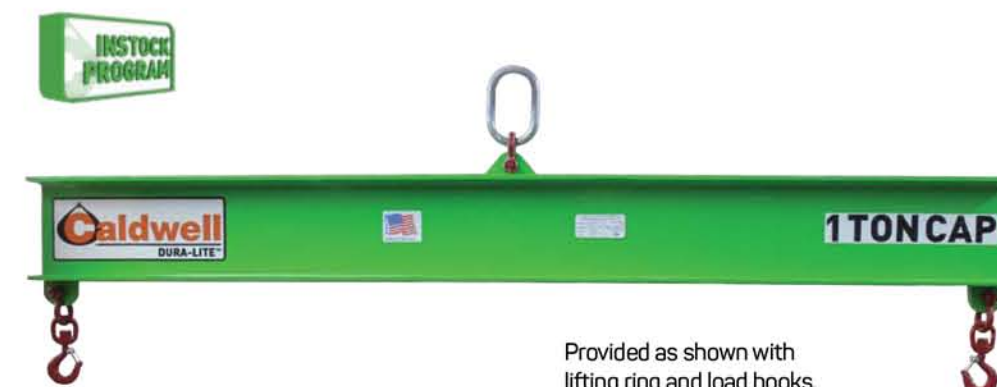


Dura-Lite™ products are not sensed by radar so they are perfect for military applications

Sales Representatives and Distributors who provide local support and service to our global customers.

## MODEL 419 COMPOSITE LIFTING BEAM

PATENT PENDING



Provided as shown with lifting ring and load hooks.

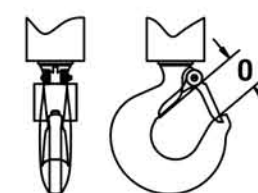
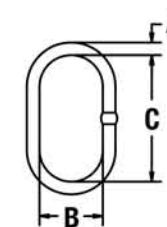
Capacity in Tons	Model Number	Spread (in.)	Headroom	Beam Only Weight	Weight With Hardware	Dimension			Bail Hook O
						A	B	C	
1/4	420-1/4-2	24	13.5	6	8	0.38	1.50	2.00	0.89
	419-1/4-3	36	13.5	8	10				
	419-1/4-4	48	13.5	10	12				
	419-1/4-6	72	16.5	23	25				
	419-1/4-8	96	16.5	29	31				
	419-1/4-10	120	18.5	48	50				
	419-1/4-12	144	16.5	62	65				
	419-1/4-14	168	18.5	95	97				
	419-1/2-2	24	13.9	6	9				
	419-1/2-3	36	13.9	8	10				
1/2	419-1/2-4	48	14.9	11	14	0.38	1.50	1.94	0.89
	419-1/2-6	72	16.9	24	27				
	419-1/2-8	96	18.9	41	44				
	419-1/2-10	120	18.9	76	79				
	419-1-2	24	19.6	9	14				
	419-1-3	36	19.6	11	16				
	419-1-4	48	21.6	19	24				
	419-1-6	72	23.6	33	38				
	419-1-8	96	23.6	50	55				
	419-2-2	24	21.9	15	23				
2	419-2-3	36	21.9	23	32	0.63	2.80	4.31	0.91
	419-2-4	48	25.9	46	55				
	419-2-6	72	25.9	59	68				
	419-3-2	24	24.9	20	31				
	419-3-3	36	24.9	23	34				
	419-3-4	48	26.7	46	57				

Free Shipping Available. Standard Ground Shipping is included in all orders for beams up to 96" spread at no extra cost when the destination is within the continental U.S. only. Other methods, lengths, and destinations will incur additional charges. Contact Caldwell for complete details.

# NOW AVAILABLE

## DURA-LITE™ PRODUCT FEATURES:

- Lightweight
- Non-Conductive
- Corrosion Resistant
- Complies with ASME B30.20, design category B, service class 4.
- Proof tested with certificate issued.



## MODEL 430 COMPOSITE SPREADER BEAM

PATENT PENDING



Provided as shown with polyester top rigging and load hooks.

Capacity in Tons	Model Number	Spread (in.)	Headroom	Beam With Weight	Weight Hardware	Bail Dimension			Hook O
						A	B	C	
1/4	430-1/4-2	24	23.9	5	8	0.63	2.8	5	0.89
	430-1/4-3	36	29.9	7	10				
	430-1/4-4	48	35.9	9	12				
	430-1/4-6	72	47.9	13	17				
	430-1/4-8	96	59.9	17	21				
	430-1/4-10	120	71.9	21	25				
	430-1/4-12	144	85.4	41	46				
	430-1/4-14	168	98.4	64	68				
	430-1/4-16	192	110.4	72	77				
	430-1/4-18	216	122.4	82	87				
	430-1/4-20	240	134.4	131	136				
	430-1/2-2	24	23.9	5	9				
	430-1/2-3	36	30	7	11				
	430-1/2-4	48	36	9	13				
1/2	430-1/2-6	72	48	14	18	0.63	2.8	5	0.89
	430-1/2-8	96	61.5	29	33				
	430-1/2-10	120	74.5	46	51				
	430-1/2-12	144	86.5	56	61				
	430-1/2-14	168	98.5	93	98				
	430-1/2-16	192	110.5	107	112				
	430-1-2	24	23.9	6	12				
	430-1-3	36	30.8	9	15				
	430-1-4	48	36.8	11	18				
	430-1-6	72	50.3	25	31				
1	430-1-8	96	63.3	44	51	0.63	2.8	5	0.89
	430-1-10	120	75.3	76	83				
	430-2-2	24	26.2	11	22				
	430-2-3	36	32.2	13	24				
	430-2-4	48	39.7	21	32				
	430-2-6	72	52.7	34	46				
	430-2-8	96	64.7	63	75				
	430-3-2	24	27	11	24				
	430-3-3	36	33	13	26				
	3	430-3-4	48	41.4	25				
430-3-6		72	53.4	49	64				

## MODEL 416 ADJUSTABLE SPREADER / LIFTING BEAM

Available 1st Quarter 2016!



Capacity in Tons	Model Number	Spread			Bail Adj. Increment	Headroom	Beam Only Weight	Weight With Hardware	Bail Dimension			Hook O
		Max.	Middle	Min.					A	B	C	
1/4	416-1/4-2	24	18	12	3	13.5	7	9	0.38	1.5	2	0.89
	416-1/4-3	36	30	24	3	13.5	9	11				
	416-1/4-4	48	42	36	3	13.5	11	13				
	416-1/4-6	72	60	48	6	16.5	26	28				
	416-1/4-8	96	84	72	6	16.5	33	35				
	416-1/4-10	120	108	96	6	18.5	54	56				
	416-1/4-12	144	132	120	6	18.5	86	88				
	416-1/4-14	168	156	144	6	18.5	100	102				
	416-1/2-2	24	18	12	3	13.9	8	11				
	416-1/2-3	36	30	24	3	13.9	10	13				
1/2	416-1/2-4	48	42	36	3	14.9	13	16	0.38	1.5	1.94	0.89
	416-1/2-6	72	60	48	6	16.9	29	32				
	416-1/2-8	96	84	72	6	18.9	48	51				
	416-1/2-10	120	108	96	6	18.9	83	86				
	416-1-2	24	18	12	3	19.6	13	18				
	416-1-3	36	30	24	3	19.6	15	20				
1	416-1-4	48	42	36	3	21.6	22	27	0.63	2.8	4.5	0.89
	416-1-6	72	60	48	6	23.6	47	52				
	416-1-8	96	84	72	6	23.6	71	76				
	416-2-2	24	18	12	3	21.9	18	26				
	416-2-3	36	30	24	3	21.9	24	32				
2	416-2-4	48	42	36	3	25.9	45	53	0.63	2.8	4.31	0.91
	416-2-6	72	60	48	6	25.9	68	76				
	416-3-2	24	18	12	3	24.9	21	32				
	416-3-3	36	30	24	3	24.9	24	35				
3	416-3-4	48	42	36	3	26.7	45	56	0.63	2.8	4.31	1